

FOR LARGE COMMERCIAL APPLICATIONS



NATURAL GAS ONLY

BUILT-IN REDUNDANCY



FAST INSTALLATION

MAINS PRESSURE



Staged tankless mains pressure and built-in redundancy, in a small footprint.

Built-in redundancy and extended life

Commpak Plus® stages half of the pak with one pump depending on demand extending water heater and pump life.

Mains pressure hot water in a small footprint.

Sophisticated electronics and pump technology equalises hot and cold water pressures and a differential set point combined with the thermal mass in the system piping replicates storage.

Fast and efficient to install

Rheem factory-tests each order before supplying the entire CFWH system, including GPOs, pump and controller so there are no delays on site.

BMS capable

Central control operation with fault monitoring.

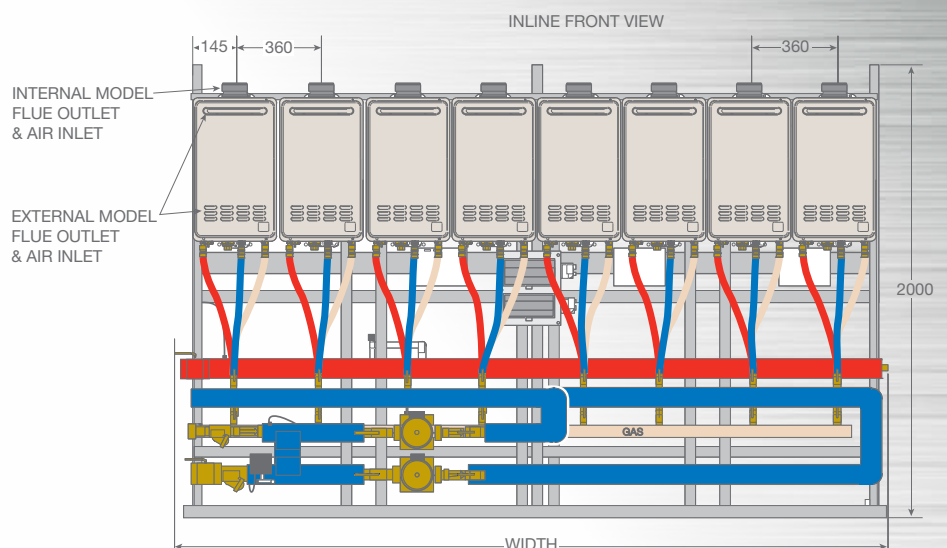
More key features:

- Loss of prime protection – turns off Commpak Plus® system if water pressure is lost.
- In-line or back to back arrangements are available to meet plant room space availability (model dependent).



Photo: Back to back 18 Unit Commpak Plus®

Inline 7 -12 Commpak Plus®

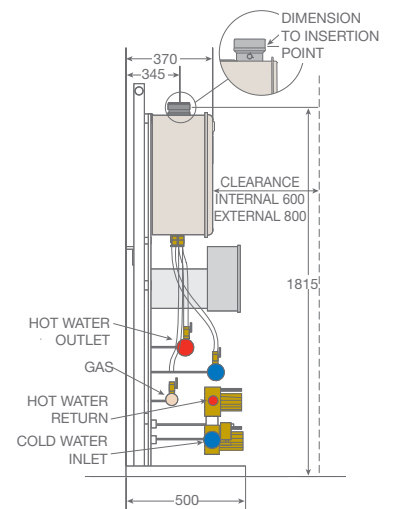


Commpak Plus® warranty: 1 year on heat exchanger, 1 year parts & labour

TECHNICAL DATA

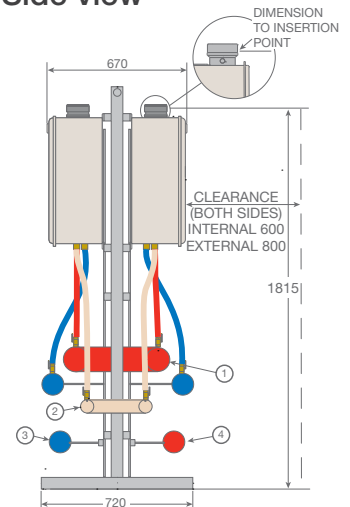
COMMPAK PLUS MODEL	INTERNAL	CPI 07	CPI 08	CPI 09	CPI 10	CPI 11	CPI 12	CPI 14	CPI 16	CPI 18
	EXTERNAL	CPE 07	CPE 08	CPE 09	CPE 10	CPE 11	CPE 12	CPE 14	CPE 16	CPE 18
Input	MJ/h	1435	1640	1845	2050	2255	2460	2870	3280	3690
Recovery Rate at 50°C rise	L/hr	5761	6584	7407	8230	9053	9876	11522	13168	14814
Maximum Flow Rate at 50°C rise	L/min	96.0	109.6	123.3	137.0	150.7	164.4	191.8	219.2	246.6
Approx Weight	kg	350	380	410	440	470	500	570	640	710
Cold Water/Hot Water										
7-14: Threaded Connection	BSPF	RP2	RP2	RP2	RP2	RP2	RP2	RP2	-	-
16-36: Table E Flanged End	mm	-	-	-	-	-	-	-	65	65
Return	BSPF	RP1	RP1	RP1	RP1	RP1	RP1	RP1¼	RP1¼	RP1¼
Gas	BSPM	R2	R2	R2	R2	R2	R2	R2	R2	R2½
Electrical Supply (240V/50Hz)	Amps	10.24	11.24	12.24	13.24	14.24	15.24	17.24	-	-
Electrical Supply (415V/3 phase/50Hz)	Amps	-	-	-	-	-	-	-	11.0	11.0
Dimensions										
Width - inline	mm	2670	3030	3390	3750	4110	4470	-	-	-
Width - back to back	mm	1980	1980	2340	2340	2700	2700	3310	3670	4030
Frost Protection		Yes	Yes	Yes	Yes	Yes	Yes	Yes	Yes	Yes
Relief Valve Setting	kPa	1000	1000	1000	1000	1000	1000	1000	1000	1000
Water Supply Pressure										
Minimum/Maximum	kPa	140/800	140/800	140/800	140/800	140/800	140/800	140/800	140/800	140/800

Inline 7 -12 Commpak Plus® - Side view



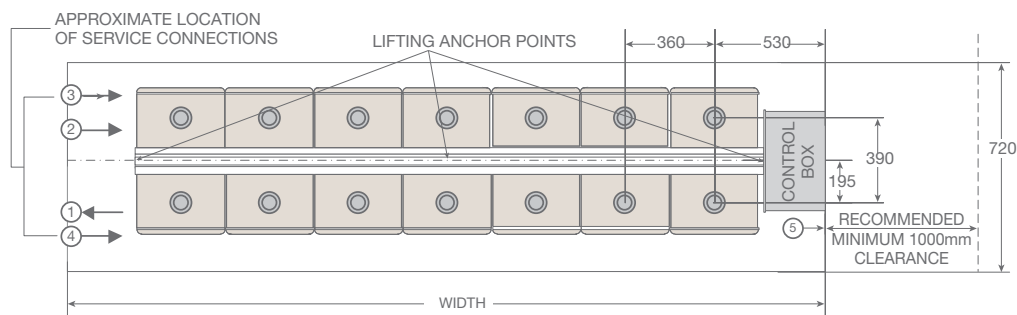
COMMPAK PLUS MODEL	INTERNAL	CPI 20	CPI 22	CPI 24	CPI 26	CPI 28	CPI 30	CPI 32	CPI 34	CPI 36
	EXTERNAL	CPE 20	CPE 22	CPE 24	CPE 26	CPE 28	CPE 30	CPE 32	CPE 34	CPE 36
Input	MJ/h	4100	4510	4920	5330	5740	6150	6560	6970	7380
Recovery Rate at 50°C rise	L/hr	16460	18106	19752	21398	23044	24690	26336	27982	29628
Maximum Flow Rate at 50°C rise	L/min	274.0	301.4	328.8	356.2	383.6	411.0	438.4	465.8	493.2
Approx Weight	kg	780	850	920	990	1060	1130	1200	1270	1340
Cold Water/Hot Water										
7-12: Threaded Connection	BSPF	-	-	-	-	-	-	-	-	-
14-36: Table E Flanged End	mm	65	80	80	80	80	100	100	100	100
Return	BSPF	RP2¼	RP1½	RP1½	RP1½	RP1½	RP2	RP2	RP2	RP2
Gas	BSPM	R2½	R2½	R2½	R2½	R2½	R2½	R2½	R3	R3
Electrical Supply (240V/50Hz)	Amps	-	-	-	-	-	-	-	-	-
Electrical Supply (415V/3 phase/50Hz)	Amps	13.0	14.0	14.0	14.0	15.0	17.0	17.0	17.0	17.0
Dimensions										
Width - inline	mm	-	-	-	-	-	-	-	-	-
Width - back to back	mm	4390	4750	5110	5470	5830	6190	6550	6910	7270
Frost Protection		Yes	Yes	Yes	Yes	Yes	Yes	Yes	Yes	Yes
Relief Valve Setting	kPa	1000	1000	1000	1000	1000	1000	1000	1000	1000
Water Supply Pressure										
Minimum/Maximum	kPa	140/800	140/800	140/800	140/800	140/800	140/800	140/800	140/800	140/800

Back to back 7 - 36 Commpak Plus® Side view



Back to back 7 - 36 Commpak Plus®

Plan view



- ① HOT WATER OUTLET
- ② GAS
- ③ COLD WATER INLET
- ④ HOT WATER RETURN
- ⑤ PRESSURE RELIEF VALVE OUTLET