

# RHEEM RT SERIES

SUITED TO LARGE  
COMMERCIAL  
APPLICATIONS



EASY TO  
INSTALL 

HIGH  
PRESSURE 

UP TO 5,000L  
CAPACITY

SUPERIOR  
INSULATION 

The high pressure, high  
capacity storage tank.

## High pressure

Carbon steel tanks suit 500kPa operation and stainless steel tanks suit up to 850kPa operation. That's up to 20% more operating pressure than competitor tanks of an equivalent size.\*

## High capacity

Available in nominal 1000, 2000, 3000, 4000, 5000L capacities. Multiple tanks of the same capacity can be manifolded in parallel to store larger volumes for reduced footprint and installation flexibility.

## Easy to install

The only large capacity tank to fit through a single door, the RT1000 tank is just 800mm and can be easily installed in replacement situations. Models up to RT4000 tank fits easily through a double 1400mm door.

## High performance insulation

100mm polypropylene insulation, with a bonded aluminium cladding suitable for outdoor installation. Polypropylene insulation is rot and fireproof, resistant to moisture, mould, bacteria, and rodents, hypoallergenic, 100% recyclable, light weight and self-supporting.

## Withstands high temperatures

Can store water up to 90°C.

## More key features

- Available in a fully welded carbon steel cylinder for indirect applications, or 316L stainless steel for direct water applications.
- Flange plates and a variety of high flow 50mm water fittings allow for different auxiliary options such as heat exchange coils (not supplied), electric heating unit bundles (page 38), heat pumps, gas water heaters, solar or waste heat.



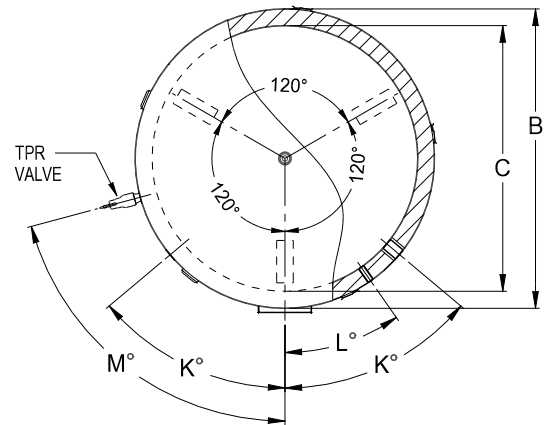
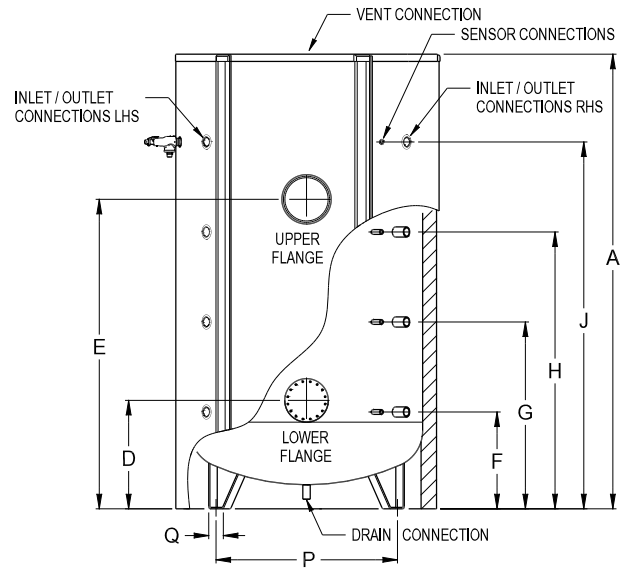
\*Refer to table on next page

Rheem RT Series warranty: 8 years on SS cylinder, 5 years on CS cylinder,  
1 year on parts & labour

# TECHNICAL DATA

DIMENSIONS AND TECHNICAL DATA TABLE

Model number		RT1000	RT2000	RT3000	RT4000	RT5000	
		stainless steel / carbon steel					
Storage capacity*	Litres	920	2055	2960	3820	5180	
Dimensions	A	mm	2200	2565	2845	2918	3128
	B	mm	1000	1300	1450	1600	1800
	C	mm	800	1100	1250	1400	1600
	D	mm	510	555	600	628	747
	E	mm	1435	1735	1945	1963	2132
	F	mm	417	462	505	533	667
	G	mm	879	1024	1135	1163	1287
	H	mm	1341	1586	1765	1793	1907
	J	mm	1803	2148	2395	2423	2527
	P	mm	685	988	1140	1290	1378
	Q	mm	80	100	100	100	100
	K	degrees	50	50	50	50	50
	L	degrees	35	35	35	35	35
M	degrees	75	75	75	75	75	
Weight Empty	kg	136/115	245/245	330/334	455/455	660/535	
Inlet/Outlet Connections (BSPF)		RP2	RP2	RP2	RP2	RP2	
T&PR Valve Outlet Connection (BSPF)		RP1¼	RP1¼	RP1¼	RP1¼	RP1¼	
Vent Connection (BSPF)		RP1½	RP2	RP2	RP2	RP2	
Drain Connection (BSPF)		RP1¼	RP1¼	RP1¼	RP1¼	RP1¼	
Remote Thermostat Connection (1 x thermowell supplied)		RP½	RP½	RP½	RP½	RP½	
T&PR Valve Setting (stainless steel/carbon steel)	kPa	850/500	850/500	850/500	850/500	850/500	
Expansion Control Valve (ECV)* Setting (stainless steel/carbon steel)	kPa	700/NA	700/NA	700/NA	700/NA	700/NA	
Maximum Water Supply Pressure							
without ECV* fitted (stainless steel/carbon steel)	kPa	680/400	680/400	680/400	680/400	680/400	
with ECV* fitted (stainless steel/carbon steel)	kPa	550/NA	550/NA	550/NA	550/NA	550/NA	
Maximum Stored Water Temperature	°C	90	90	90	90	90	
Manifold – Min. Centre to Centre (piping one side)	mm	1350	1550	1700	1850	2050	
Manifold – Min. Centre to Centre (piping both sides)	mm	1500	1700	1850	2000	2200	
Maintenance Rate	kWH/day	8.5	10.8	12.3	13.5	15.3	



WATER CAPACITY ABOVE NOMINATED DIMENSION (litres)

Model number	RT1000	RT2000	RT3000	RT4000	RT5000	
Storage capacity Litres	920	2055	2960	3820	5180	
Dimensions	J	116	235	309	438	695
	H	345	763	1082	1408	1942
	G	575	1292	1855	2377	3188
	F	804	1820	2628	3347	4435
Upper Flange	E	299	623	861	1146	1489
Lower Flange	D	758	1732	2511	3201	4274

\* Expansion control valve not supplied with the water heater.