

# SOLAR PREMIER

Models	
Electric / 2 Collectors	A591270/2C
Electric / 3 Collectors	A591270/3C
Gas Boost / 2 Collectors	A591270/2CGL/2CGN (ULPG/Natural Gas)
Gas Boost / 3 Collectors	A591270/3CGL/3CGN (ULPG/Natural Gas)
Storage Capacity	270 Litres
Roof Space Required - 2 Collectors	2.4m x 2.0m
- 3 Collectors	3.6m x 2.0m
Dimensions - Cylinder	H 1700mm x D 650mm
Weight Empty - Cylinder	146kg
Weight Empty - Collector	48kg
Temperature Pressure	1000kPa
TPR Valve Setting	
Expansion Control Valve (ECV) Setting	850kPa
Minimum Supply Pressure	150kPa (Gas boosted only)
Water Connections - Inlet	¾ /20 BSPF
- Outlet Tempered	¾ /20 BSPF
- Gas	¾ /20 BSPM
- Solar Flow and Return	½ /15 BSPM

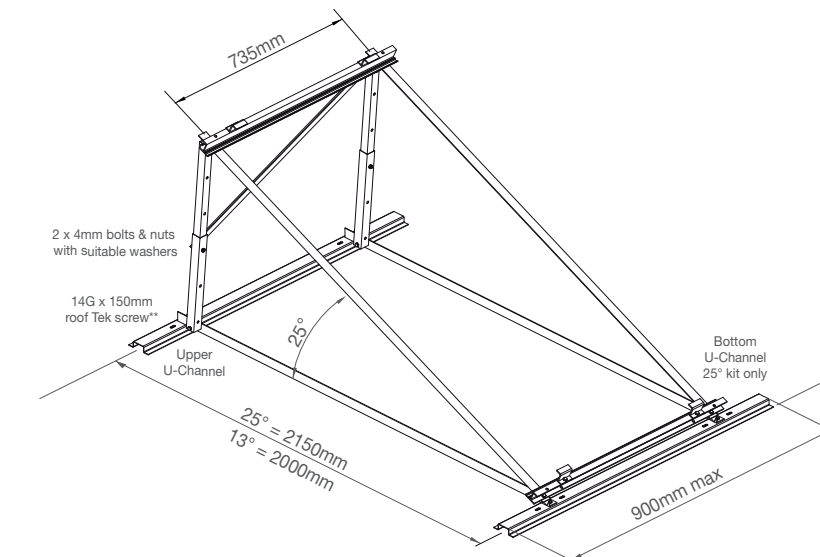
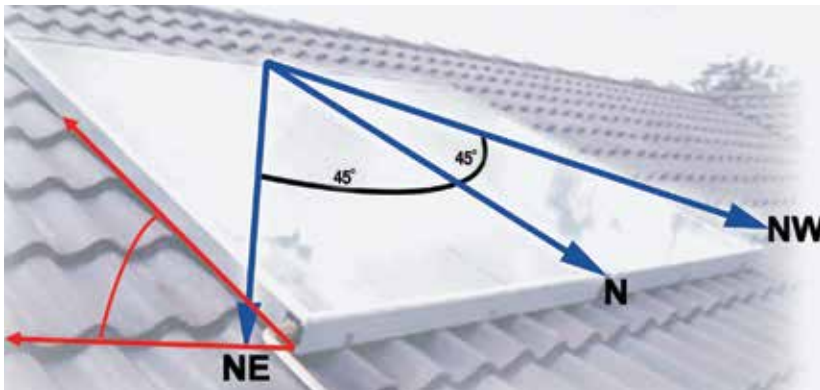
Sizing Guide	Zone	People	
Boosting Type		Gas	Electric
Moderate Climate	1	2 - 6	1 - 3
Cold Climate	2	2 - 5	1 - 3

Recommended Minimum Panel Inclination Angles					
Auckland	20°	Hamilton	22°	Wellington	25°
Christchurch	30°	Dunedin	35°	Invercargill	37°

Boost Specifications		
Electric Supply Voltage	Volts 220-250	
Available in 3.6kW (15 amp)		
Gas Input - Natural Gas	MJ/hr	205
Available in Natural Gas and ULPG		

Solar Ready MPVE* Storage Tanks- Non-Coiled			
Model	A51127007	A51134007	A51143007
Storage Capacity (L)	270	325	410
Boost Volume (L) 3.6kW Element	160	200	285
Height x Width (mm)	1395 x 640	1640 x 640	1840 x 690
Weight Empty (kg)	70	87	111

\*Mains Pressure Vitreous Enamel



N.B. Collector size (1023 x 1941mm) is greater than frame size.  
 \*\*Screws must be compatible with substrate/roofing material.

