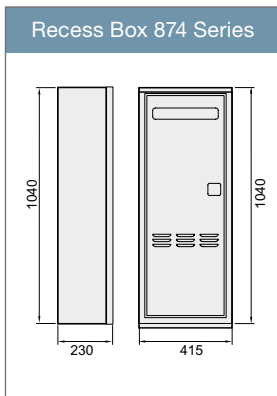
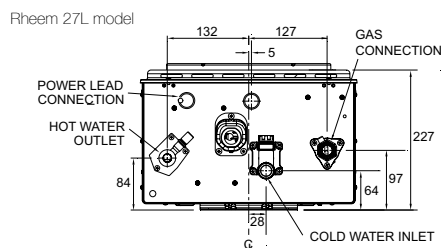
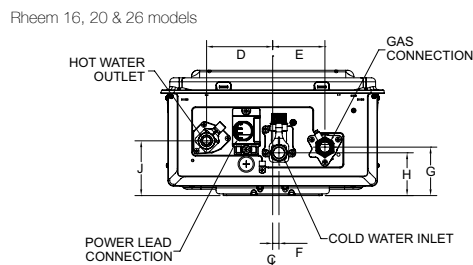
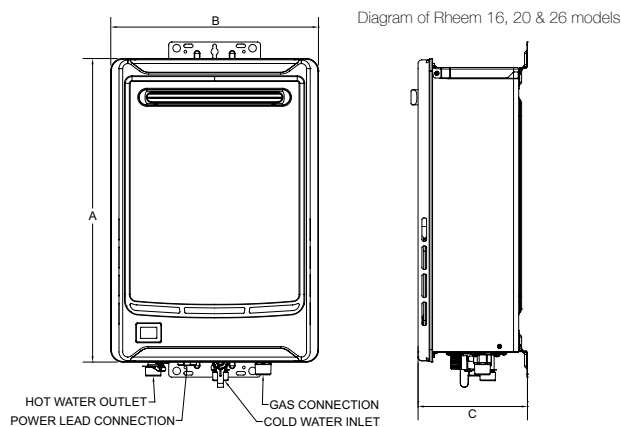


GAS CONTINUOUS FLOW

	Rheem 16	Rheem 20	Rheem 26	Rheem 27	Indoor 27*
Model Number	874A16NFZ 874A16LFZ	874820LFZ 874A20NFZ	874826LFZ 874A26NFZ	874627NFZ 874627LPZ	864627NFZ 864627LPZ
Nominal L/Min @25°C Rise	16L/Min	20L/Min	26L/Min	27L/Min	27L/Min
Gas Input Max	126 MJ/hr	157 MJ/hr	199 MJ/hr	205 MJ/hr	205 MJ/hr
Gas Type	NG or ULPG	NG or ULPG	NG or ULPG	NG or ULPG	NG or ULPG
Gas Connection	R ¾ / 20	R ¾ / 20	R ¾ / 20	R ¾ / 20	R ¾ / 20
Min Gas Supply Pressure NG/ULPG	1.13 kPa/ 2.75 kPa	1.13 kPa/ 2.75 kPa	1.13 kPa/ 2.75 kPa	1.13 kPa/ 2.75 kPa	1.13 kPa/ 2.75 kPa
Water Pressure (kPa) Min-Max	120-1000	120-1000	120-1000	140-1000	140 - 1000
Minimum Flow Rate	2.0L/Min	2.0L/Min	2.0L/Min	2.0 L/Min	2.0 L/Min
Cold Water Connection	R ¾ / 20	R ¾ / 20	R ¾ / 20	R ¾ / 20	R ¾ / 20
Hot Water Connection	R ¾ / 20	R ¾ / 20	R ¾ / 20	R ¾ / 20	R ¾ / 20
Approx. Weight (empty)	16kg	16kg	16kg	23kg	24kg
Freeze Protection	Yes	Yes	Yes	Yes	Yes
A Unit Height (mm)	520	520	520	601	650
B Unit Width (mm)	355	355	355	351	351
C Unit Depth (mm)	187	187	187	226	240
D Hot Water Outlet (mm)	105	105	105	132	132
E Gas Inlet (mm)	83	83	83	127	127
F Cold Inlet (mm)	10	10	10	28	28
G Gas Inlet (mm)	77	77	77	97	119
H Cold Inlet (mm)	68	68	68	64	86
J Hot Water Outlet (mm)	87	87	87	84	107
Gas Energy Rating	6 Stars	6 Stars	6 Stars	6 Stars	6 Stars

Continuous Flow Accessories	Part Number
Horizontal Flue Kit Side Exit	318278
Horizontal Flue Kit Rear Exit	318279
Vertical Flue Kit	318280
Recess Box - For Rheem 27	320316
Recess Box - For Rheem 16, 20 & 26 874 Series	318994
Pipe Cover - For Rheem 27	320116
Pipe Cover - For Rheem 16, 20 & 26	320117
EZ LINK® Cable	290141
Standard Kitchen Temperature Controller	A299850
Standard Bathroom 1 Temperature Controller	A299851
Standard Bathroom 2 Temperature Controller	A299852
Recess door only 874A Series - 16L, 20L & 26L	320759
Recess Box 874A Series - 16L, 20L & 26L	320758
Flue Divertor (Standard) - Natural Gas only	299336
Flue Divertor (Extended) - Natural Gas only	299334



***Rheem 27 Indoor Flue System**

A certified Rheem coaxial flue system must be used with all Rheem 27 indoor models. There are three indoor flue kits available:- Horizontal Side Exit, Horizontal Rear Exit and Vertical. Please contact your local plumber, plumbing merchant or Rheem Customer Service on 0800 657 336 to discuss the best solution for your needs. The Rheem flue system uses a twin pipe design (one pipe inside the other) ; an inner pipe of stainless steel for exhaust, and an outer steel pipe for inlet air. This flue system can exhaust either through a roof or wall. (Subject to Building Regulations).