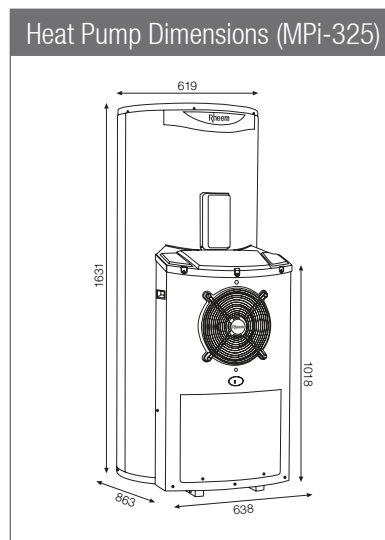
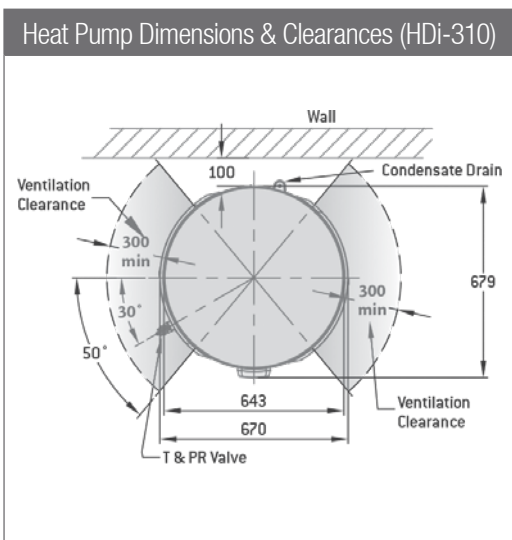


HEAT PUMP

		HDi-310	MPI-325
Model No.		A55131007	A55132507
Approx. Storage Capacity	Litres	310	325
Height	mm	1870	1630
Width	mm	670	638
Depth	mm	690	863
Approx Weight Empty	Kg	135	136
TPR Valve Setting	kPa	1000	1000
Without Expansion Control Valve	kPa	800	800
Minimum Water Pressure	kPa	200	200
Water Connections		RP 3/4 / 20	RP 3/4 / 20
Element Rating	KW	3.6	3.6
Power Input	W	1300	800

Performance		
Model	Litres Per Hr	Ambient Air Temp (C)
HDi-310	55	10
	73	20
	92	30
MPI-325	25	10
	34	20
	42	30



RAYPAK® POOL & SPA WATER HEATERS

Model		Temperature Rise per Hour (Spa)				Temperature Rise over 24 Hours (Pool)*				
		Spa Volume (Litres)				Pool Surface Area (m2)				
		2000	3000	4000	5000	20	40	60	80	100
131 Spartan	Outdoors only	10°	6°	5°	4°	-	-	-	-	-
127 Premium	Indoors & Outdoors	10°	6°	5°	4°	-	-	-	-	-
200 Residential	Indoors & Outdoors	17°	12°	9°	7°	21°	15°	10°	8°	6°
280 Residential or Premium	Indoors & Outdoors	25°	17°	12°	10°	26°	20°	14°	10°	8°
350 Residential	Indoors & Outdoors	32°	21°	16°	12°	32°	25°	18°	13°	10°
430 Residential or Premium	Indoors & Outdoors	38°	26°	19°	15°	34°	27°	20°	15°	12°

*Ideally 14° or more over 24 hours is desirable

Model	Nominal Rating				Approximate Dimensions				Connections		Indoor Installations	
	Natural Gas		ULPG		All Models				Gas	Water		
	Input MJ/h	Output kW	Input MJ/h	Output kW	Height mm	Width mm	Depth mm	Weight kgs	mm	mm	Flue Diameter mm	Height Overall mm
131 Spartan	120	24	117	24	860	440	650	35	20	40	N/A	N/A
127 Premium	110	25	103	23	895	580	280	42	20	40	125	1100
200 Residential	196	44	185	41	1580	530	650	70	20	50	175	1550
280 Residential or Premium	278	62	261	58	1085	640	650	75	20	50	200	1550
350 Residential	343	76	323	72	1085	730	650	85	20	50	225	1605
430 Residential or Premium	420	94	369	88	1085	870	650	90	20	50	250	1605