

STORAGE VOLUME: – 270 LITRES

BOOST VOLUME: – 160 LITRES

HOT WATER CONNECTION: – RP³/₄/20.

COLD WATER CONNECTION: – RP³/₄/20.

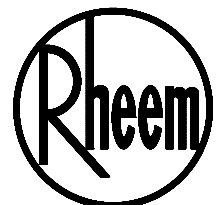
SOLAR HOT (FROM COLLECTOR) CONNECTION: – DN15 COMPRESSION FITTING.
(SOLAR HOT WATER INLET TO TANK: RP³/₄/20).

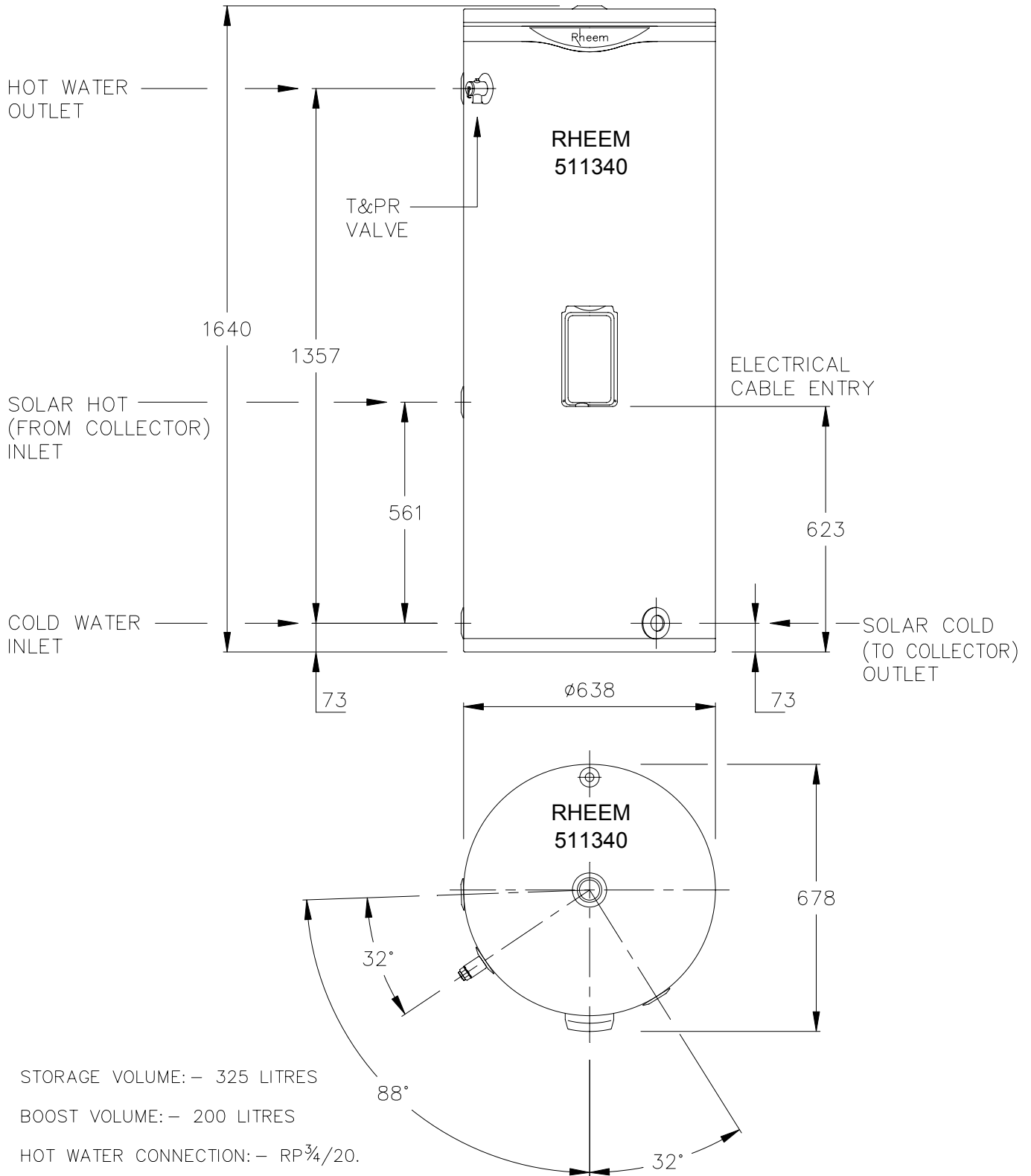
SOLAR COLD (TO COLLECTOR) CONNECTION: – DN15 COMPRESSION FITTING.
(SOLAR COLD WATER OUTLET FROM TANK: RP³/₄/20).

T&PR VALVE CONNECTION: – RP¹/₂/15.

WEIGHT: – 70kg.

RHEEM WATER HEATER SOLAR ELECTRIC BOOST 511270





STORAGE VOLUME: – 325 LITRES

BOOST VOLUME: – 200 LITRES

HOT WATER CONNECTION: – $RP\frac{3}{4}/20$.

COLD WATER CONNECTION: – $RP\frac{3}{4}/20$.

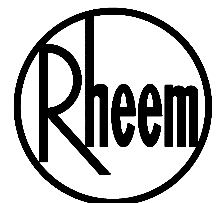
SOLAR HOT (FROM COLLECTOR) CONNECTION: – DN15 COMPRESSION FITTING.
(SOLAR HOT WATER INLET TO TANK: $RP\frac{3}{4}/20$).

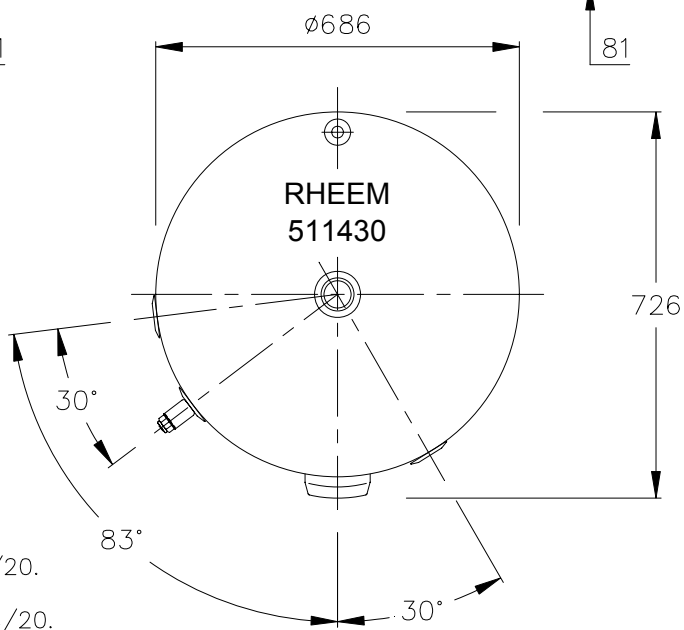
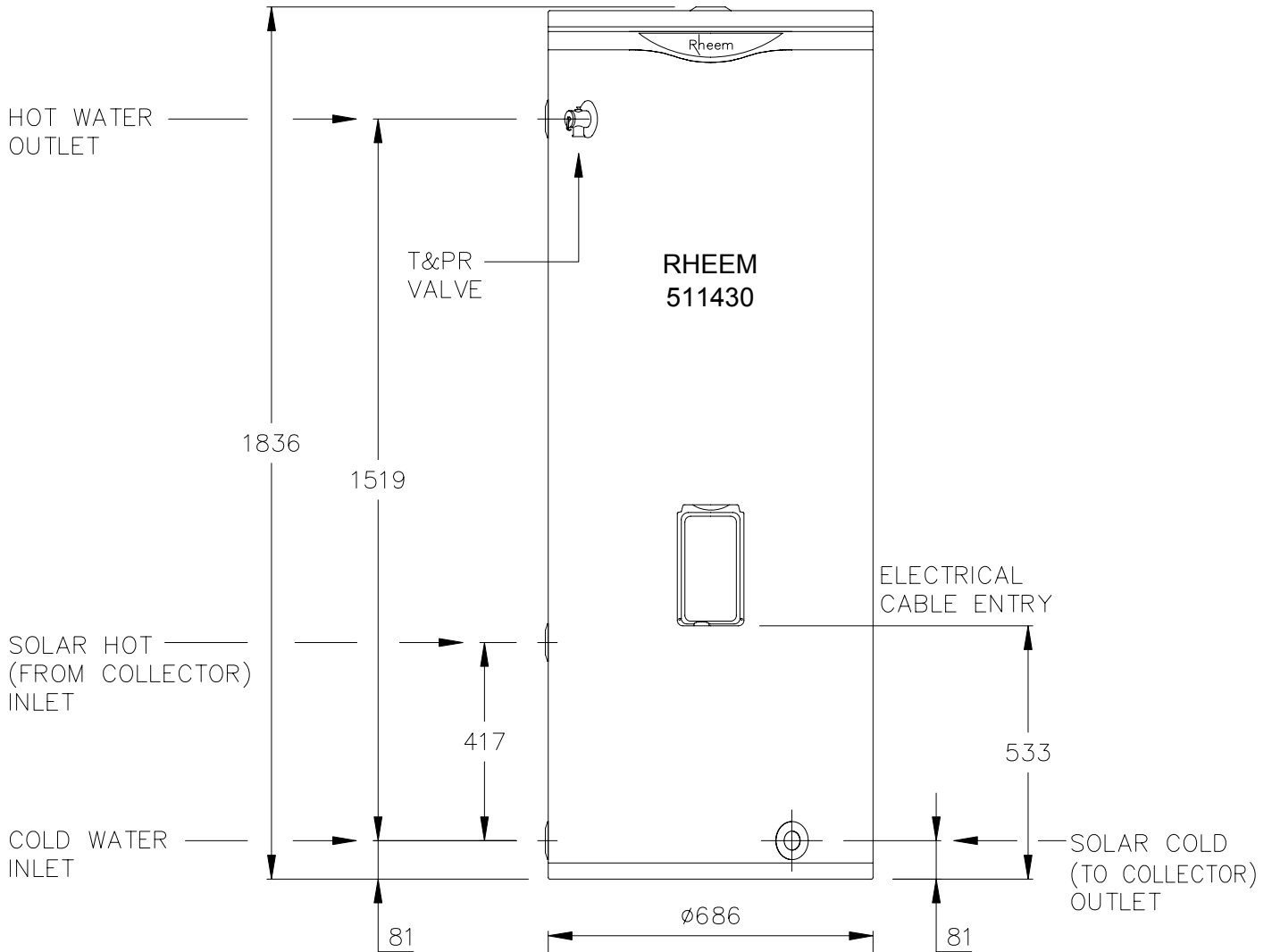
SOLAR COLD (TO COLLECTOR) CONNECTION: – DN15 COMPRESSION FITTING.
(SOLAR COLD WATER OUTLET FROM TANK: $RP\frac{3}{4}/20$).

T&PR VALVE CONNECTION: – $RP\frac{1}{2}/15$.

WEIGHT: – 87kg.

RHEEM WATER HEATER SOLAR ELECTRIC BOOST 511340





STORAGE VOLUME: – 410 LITRES

BOOST VOLUME: – 285 LITRES

HOT WATER CONNECTION: – RP³/₄/20.

COLD WATER CONNECTION: – RP³/₄/20.

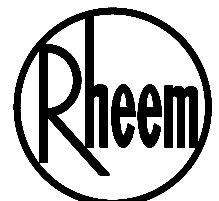
SOLAR HOT (FROM COLLECTOR) CONNECTION: – DN15 COMPRESSION FITTING.
(SOLAR HOT WATER INLET TO TANK: RP³/₄/20).

SOLAR COLD (TO COLLECTOR) CONNECTION: – DN15 COMPRESSION FITTING.
(SOLAR COLD WATER OUTLET FROM TANK: RP³/₄/20).

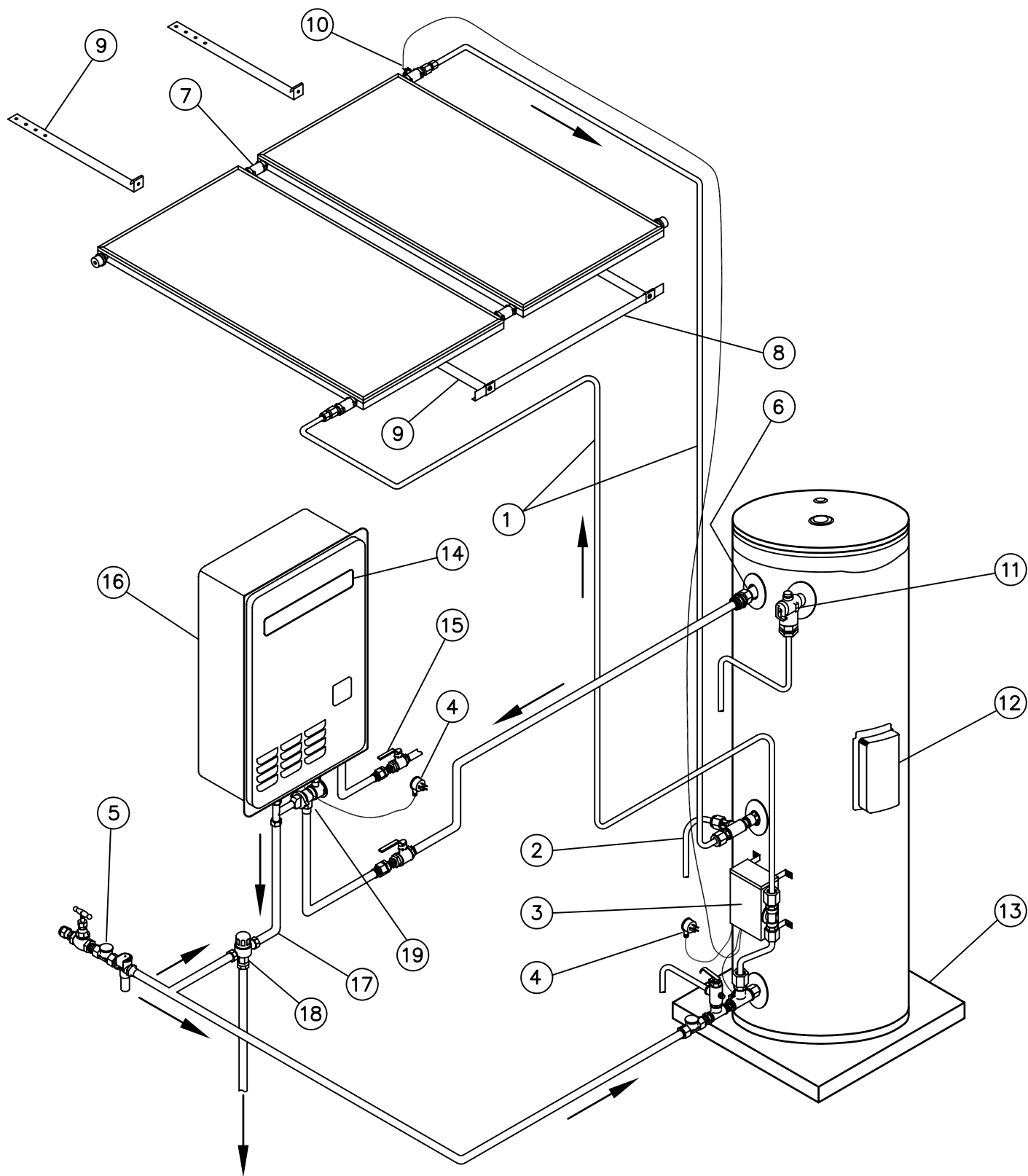
T&PR VALVE CONNECTION: – RP¹/₂/15.

WEIGHT: – 111kg

**RHEEM WATER HEATER
SOLAR ELECTRIC BOOST 511430**



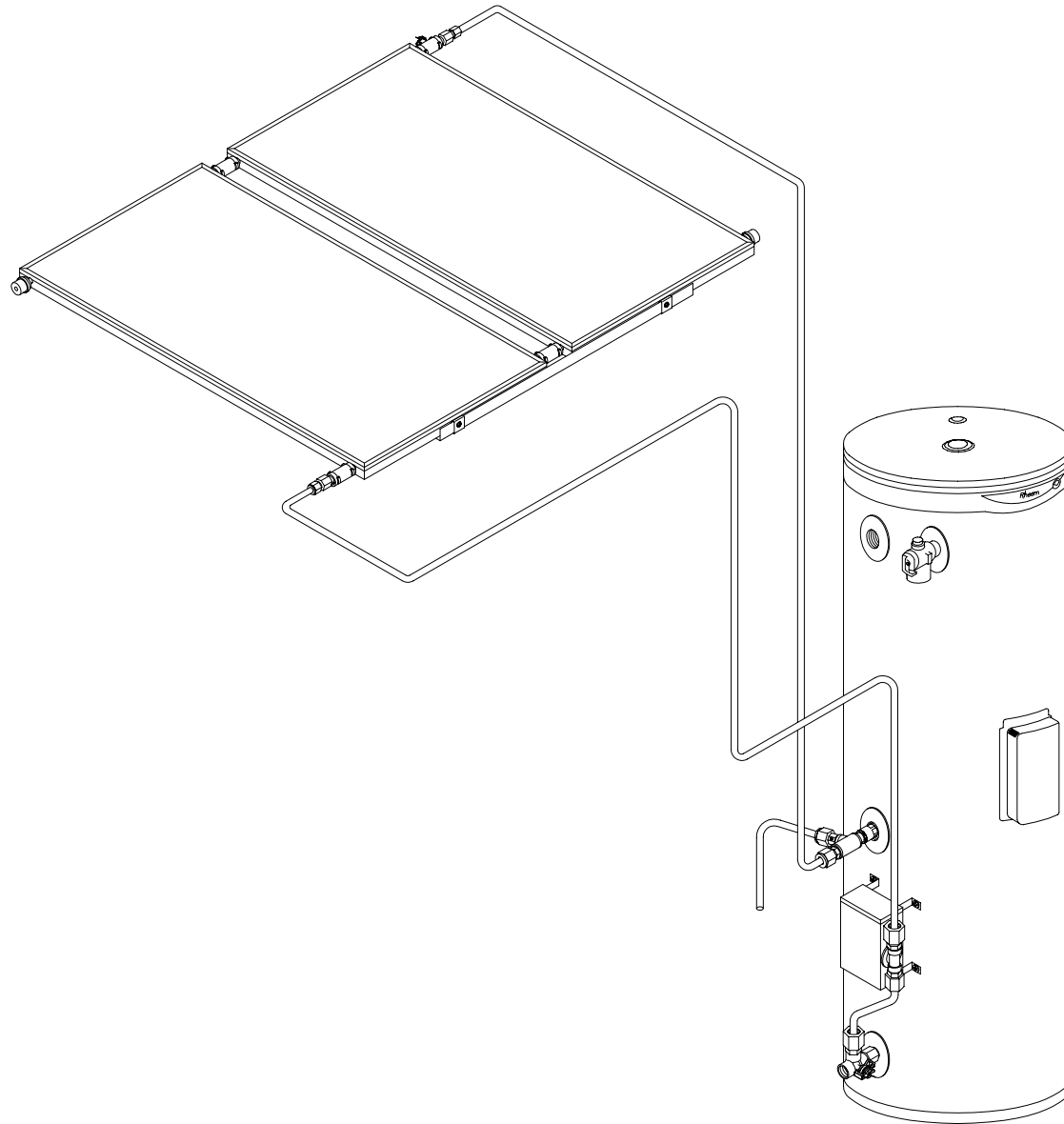
TYPICAL INSTALLATION SOLAR WITH GAS BOOSTER



LEGEND

1. Solar flow and return insulated copper pipe.
2. Solar bleed valve and drain.
3. Solar control unit.
4. Power supply cord 10A GPO.
5. Cold water connection to local regulations.
6. Solar preheat (hot water) outlet
7. Quick fit connectors.
8. Collector angle.
9. Collector fixing strap.
10. Hot Sensor.

11. Temperature Pressure Relief Valve and drain line.
12. Electric boost unit.
(No Electrical connection with Gas Boost Models)
13. Water heater support.
14. Flue Outlet. Clearances must comply with AS 5601.
15. Gas supply .
16. Gas Booster Rheem Integrity 24.
17. Hot water outlet.
18. Tempering Valve.
19. Solar Bypass Valve.



Rheem Solar 511 Series Electric Boost – Installation Schematic

TWO TEMPERATURE ZONES USING A TEMPERATURE LIMITING DEVICE

