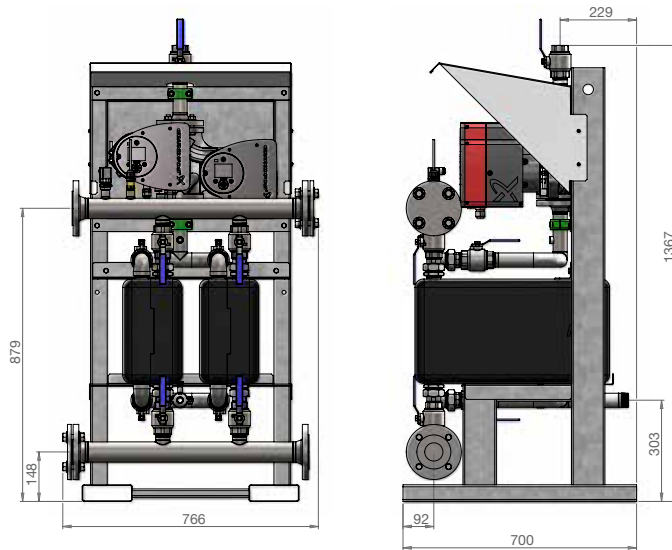


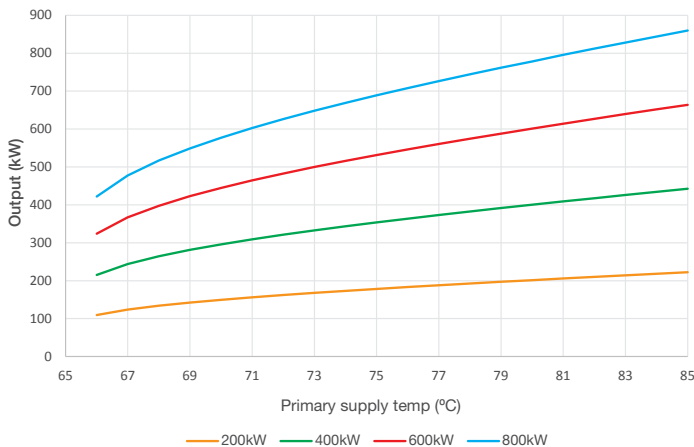
CROSS FLOW DIMENSIONS AND TECHNICAL DATA TABLE - RHEEM CROSSFLOW

Model		RD200	RD400	RD600	RD800	
Nominal Capacity	kW	200	400	600	800	
Parameters for Nominal Capacity Rating	Primary Side (non-potable)					
	Inlet Temp	°C	80	80	80	80
	Flow Rate	L/min	48	114	144	186
	Pressure Drop	kPa	24	47	36	36
	Secondary Side (potable)					
	Inlet/Outlet Temp	°C	15/65	15/65	15/65	15/65
	Flow Rate	L/min	57	115	172	223
Pressure Drop	kPa	37	47	51	48	
Dimensions	H x W x D	mm			1364 x 761 x 700	
Weight	kg	130	138	147	156	
Pipe Connections Primary Circuit	BSPF				RP1¼	
Pipe Connections Secondary Circuit					50mm Flange Type E	
Max Operating Pressure Primary Circuit	kPa				1400 ²⁷	
Max Operating Pressure Secondary Circuit	kPa				1400 ²⁷	
Electrical Supply					230-240V 50/60Hz Hard Wired By Electrician	
Min Circuit Size	Amps				10	

²⁷ The maximum working pressure of each side of the system will be governed by the lowest operating appliance connected to it. The potable side (secondary side) water pressure must be higher than the non potable side (primary side) pressure.



Rheem Crossflow Maximum Output
($T_{in}15^{\circ}C-T_{out}65^{\circ}C$) vs Primary supply temp



Rheem Crossflow
Secondary Side Pressure Drop vs Flow Rate

