

# SPECIFICATIONS

## Rheem On-Tap product data

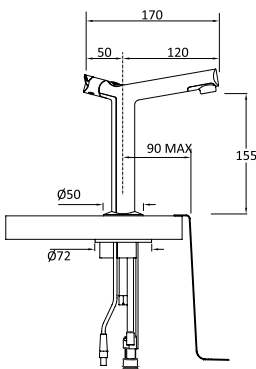
Rheem On-Tap Series		On-Tap 3L	On-Tap 5L	On-Tap Plus 5L	Push-thru 1.8L Chiller	Pumped 5L Chiller
On-Tap Aqua™		743003F	743005F		318844	UBWC-125
On-Tap Azure™		743103F	743105F			
On-Tap Plus Aqua™				7430054SR		
On-Tap Plus Azure™				7431054DR		
Boiling Delivery – p/hr	Litres	16.6	20	20	-	-
Boiling Delivery – p/hr	Cups*	98	118	118	-	-
Mixed Delivery – p/hr <sup>^</sup>	Litres	-	-	57	-	-
Chilled Delivery – p/hr	Litres	-	-	-	12.5	36.6
Chilled Delivery – p/hr	Glasses**	-	-	-	63	183
Weight empty	Kg	12	12	12	12	16
Weight full	Kg	18	18	18	14	21
Recommended Min water pressure	kPa	300	300	300	140	100
Max water pressure	kPa	500	500	500	400	700
Element	kW	1.5	1.8	1.8	-	
Electrical connections	10 amp 3 pin plug and flex					
Plumbing connections	½" BSP					
Dimensions	mm					
A - Width		175	175	175	205	250
B - Depth		460	460	460	408	430
C - Height		405	405	405	278	320
Accessories	Part No					
Aqua™ Sink Free & Extension Kit	317453	Optional	Optional	Optional		
Azure™ Sink Free & Extension Kit	319042	Optional	Optional	Optional		
Azure™ Combined Base Sink Free & Extension Kit	319047	Optional	Optional	Optional		

\*Cup size 170ml \*\*Glass size 200ml <sup>^</sup> @ 50°C

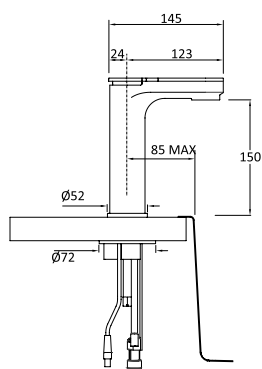
Calculations based on incoming water temperature of 17°C

### DISPENSING TAPS

Aqua™

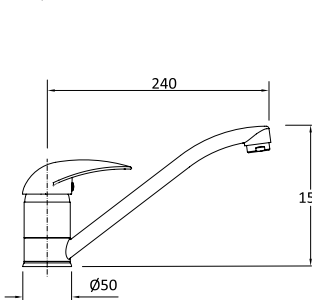


Azure™



### MIXER TAPS

Aqua™



Azure™

