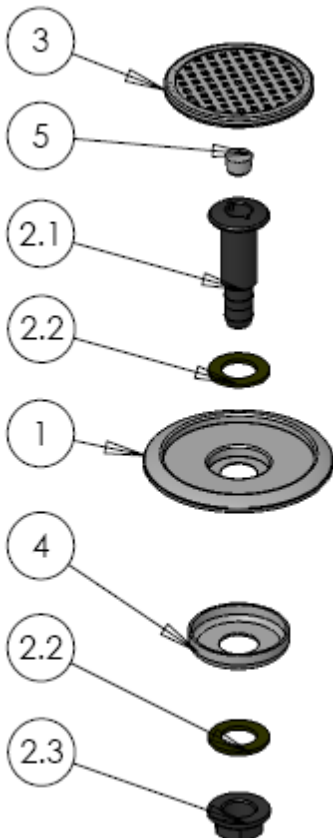
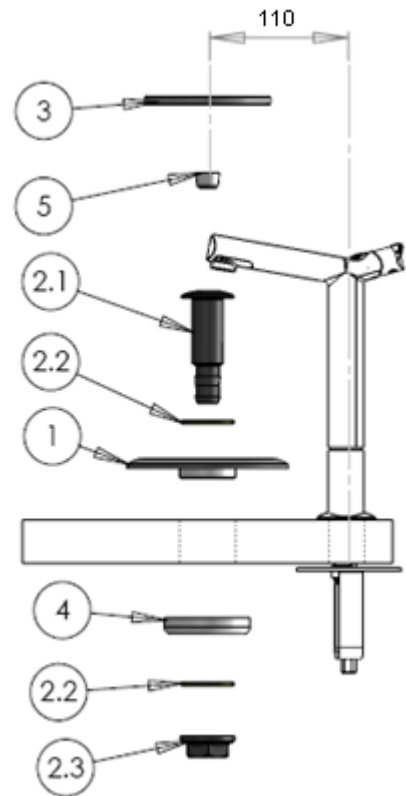


**EXTENDED TAP INSTALLATION INSTRUCTIONS
FOR UNDERSINK BOILING WATER UNITS**

1. DRAIN TRAY INSTALLATION

- a. Drill 50mm hole at a distance of **110mm** from the centre of the Tap in the direction of the tap nozzle.
- b. Assemble the parts as indicated.
- c. The cup washer (4) has to be used with the 'U' pointing upwards when installed on a Stainless Steel bench tops.
- d. Ensure that the Bung (5) is removed from the tank fitting if the tank fitting is connected to the drain.
- e. Ensure that the tank fitting washers (2.2) are placed in the right position before securely fastening the assembly.



ITEM NO.	PartNo	DESCRIPTION	QTY.
1	317476	DRAIN TRAY	1
2	317367	TANK FITTING, DRAIN	1
2.1		TANK FITTING	1
2.2		WASHER - TANK FITTING	2
2.3		NUT	1
3	317375	DRAIN GRATE	1
4	317458	CUP WASHER	1
5	317466	BUNG / STOPPER	1

For further information please contact the local Rheem service Department

**EXTENDED TAP INSTALLATION INSTRUCTIONS
FOR UNDERSINK BOILING WATER UNITS**

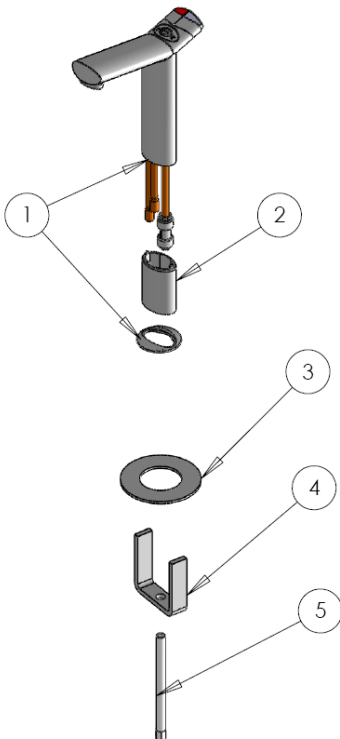
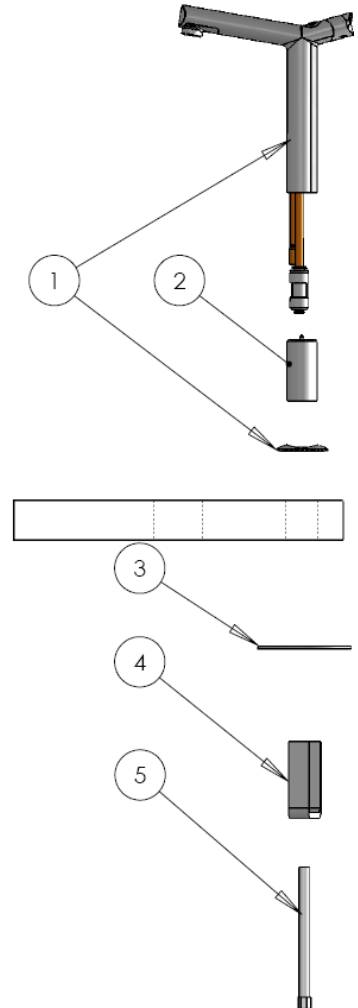
2. TAP EXTENSION INSTALLATION

If fitting to an existing installation:

- a. Switch off the boiling unit and chiller unit (if connected).
- b. Disconnect the tap loom from the under bench units.
- c. Disconnect the silicone hoses and tubes from the boiling unit and chiller (or cold water connections) units while retaining the tubes on the tap.
- d. Remove the tap completely out of the table including the loom and tubes.

If fitting to a new installation:

- e. Insert the loom and the tubes through the tap extension (2) and the tap flange (1).
- f. Drop the loom and the tubes into the hole on the bench top.
- g. Peel the adhesive backing off the washer (3) and stick it to the underside of the bench concentric to the hole.
- h. Assemble the mounting bracket (4) and nut (5) as shown below
- i. Fasten the nut after ensuring the tap is pointed in the right direction
- j. Reconnect all the tubes and tap loom as indicated in the standard tap installation manual
- k. Switch the under bench units ON.



ITEM NO.	PARTNO.	DESCRIPTION	QTY.
1	317324	STD TAP ASSEMBLY	1
2	317290	TAP EXTENSION	1
3	317459	WASHER, 1.3/4x3.1/2x3 ZP	1
4	317446	MOUNTING BRACKET, EXTENDED TAP	1
5	317457	NUT EXTENDED	1

For further information please contact the local Rheem service Department