

319047 SINK FREE KIT WITH BASE

Installation Instructions

INCLUDED IN THIS KIT:

- Tap Extension Barrel
- Base Plate
- Drain Tray Grate
- 32mm Waste & Back Nut
- Extended Tap Mounting Stud
- Installation Instructions



7431 SERIES BOILING WATER TAP

RHEEM

www.rheem.com.au

www.rheem.co.nz

FOR SERVICE TELEPHONE

131 031 **AUSTRALIA**

0800 657 335 **NEW ZEALAND**

or refer local Yellow Pages

For warranty details please refer to product owners guide.

Note: Every care has been taken to ensure accuracy in preparation of this publication. No liability can be accepted for any consequences, which may arise as a result of its application.

INTRODUCTION

The Sink Free Kit allows the installation of the Rheem 7431 Series Boiling Water Tap on a counter top where it is not possible to place the outlet of the tap over a sink.

MOUNTING TO BENCH

Installation of the Extended Boiling Water Tap requires that two holes are drilled in the bench top as shown in Figure 1.

Before drilling determine the preferred location on the countertop. Ensure that sufficient clearance is available beneath the bench top where the plate will be fixed for the tap and drain connections.

For information on connecting the Rheem Boiling Water Tap to the Boiling Water Unit please refer to the instructions supplied with the tap.

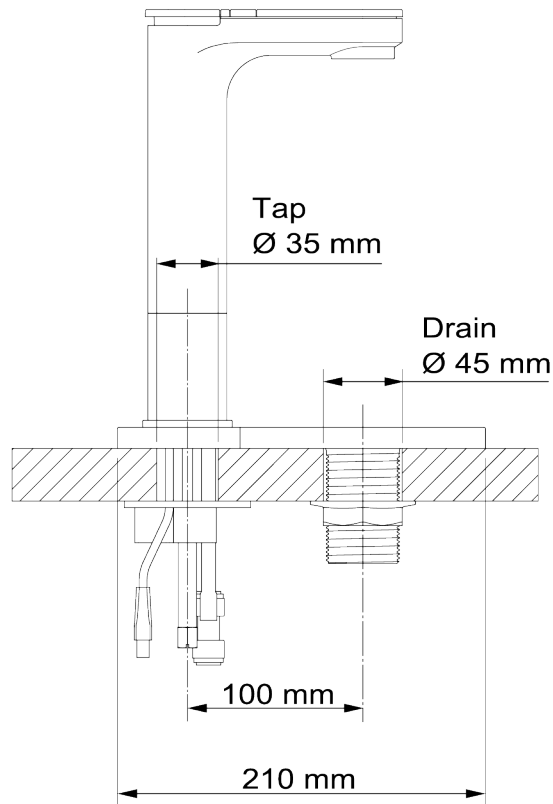


Figure1. SET OUT

ASSEMBLY

Installation of the tap assembly is described in the tap instructions supplied with the tap. For the extended tap shown in Figure 2, the extension tube (item 2) is fitted between the tap body (item 1) and the base ring (item 3). A longer mounting stud (item 6) may be required and is supplied with the Sink Free Kit.

1. 7431 BOILING WATER TAP
2. TAP EXTENSION TUBE
3. BASE RING
4. BASE RING SEAL
5. 160 mm MOUNTING STUD
6. BACKING WASHER
7. CLAMP PLATE
8. CLAMP NUT
9. GRATE
10. 32 mm WASTE
11. PLATE
12. BACK NUT

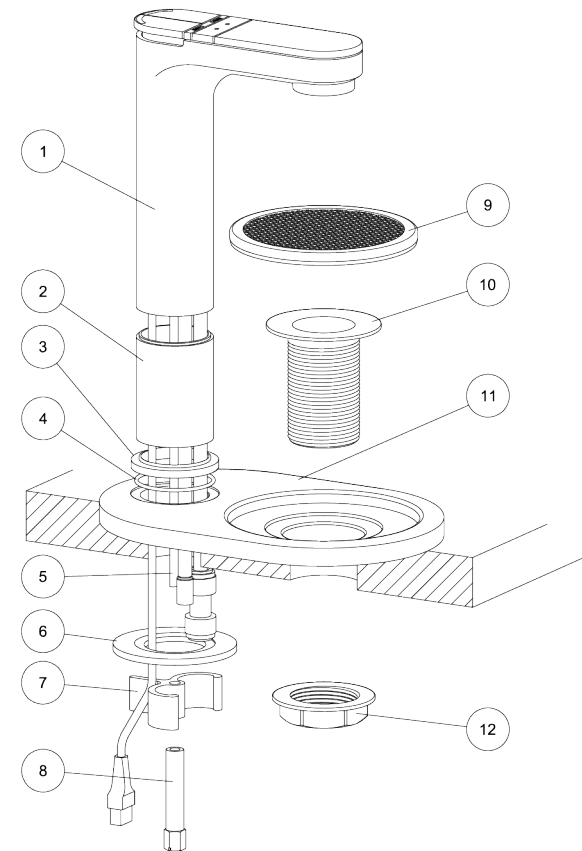


Figure 2. DRAIN TRAY ASSEMBLY