

DRAIN TRAY ASSEMBLY

The components of the drain should be assembled as shown in Figure 2, ensuring the seal washers (item 4) are correctly placed as shown and the back nut (item 6) is firmly secured.

An ID19mm ($\frac{3}{4}$ ") hose should be connected to the outlet of the drain and led to a suitable drainage point e.g dishwasher drain branch. All connections must comply with local plumbing codes.

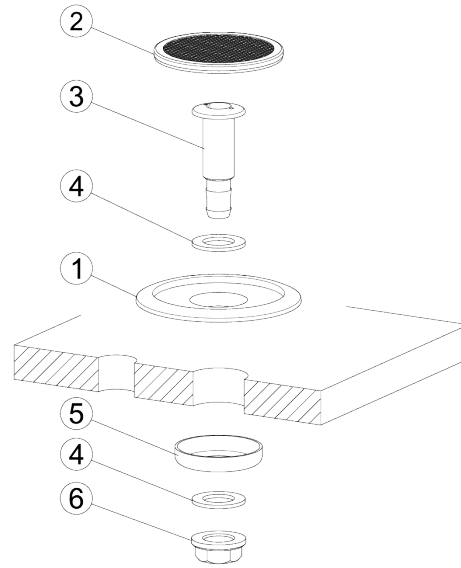


Figure 3. DRAIN TRAY ASSEMBLY

INCLUDED IN THIS KIT:

- Tap Extension Barrel
- Drain Tray
- Drain Tray Grate
- $\frac{3}{4}$ " Outlet Fitting
- Extended Tap Mounting Stud
- Installation Instructions

1. DRAIN TRAY
2. GRATE
3. TANK FITTING
4. SEAL WASHER
5. CUP WASHER
6. BACK NUT

RHEEM

www.rheem.com.au
www.rheem.co.nz

FOR SERVICE TELEPHONE
131 031 **AUSTRALIA**
0800 657 335 **NEW ZEALAND**
or refer local Yellow Pages

For warranty details please refer to product owners guide.

Note: Every care has been taken to ensure accuracy in preparation of this publication. No liability can be accepted for any consequences, which may arise as a result of its application.

Revision Date: 19 March 2014

318553 A

319042 SINK FREE KIT

Installation Instructions



7431 SERIES BOILING WATER TAP

COMES ON STEADY, HOT AND STRONG

INSTALL A



INTRODUCTION

The Sink Free Kit allows the installation of the Rheem 7431 Series Boiling Water Tap on a counter top where it is not possible to place the outlet of the tap over a sink.

MOUNTING TO BENCH

Installation of the Extended Boiling Water Tap requires that two holes are drilled in the bench top as shown in Figure 1.

Before drilling determine the preferred location on the countertop. Ensure that sufficient clearance is available beneath the bench top for the tap and drain connections.

For information on connecting the Rheem Boiling Water Tap to the Boiling Water Unit please refer to the instructions supplied with the tap.

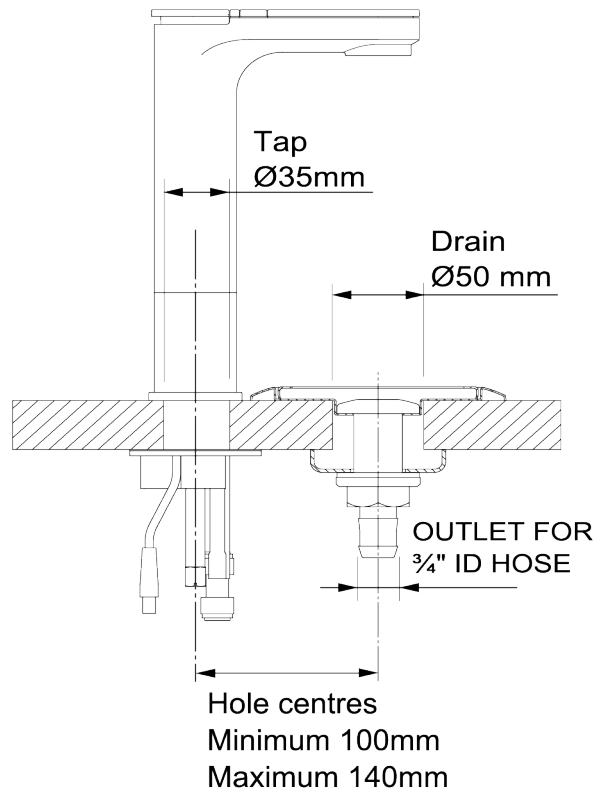


Figure1. SET OUT

TAP ASSEMBLY

Installation of the tap assembly is described in the tap instructions supplied with the tap. For the extended tap shown in Figure 2, the extension tube (item 2) is fitted between the tap body (item 1) and the base ring (item 3). A longer mounting stud (item 6) may be required and is supplied with the Sink Free Kit.

1. 7431 BOILING WATER TAP
2. TAP EXTENSION TUBE
3. BASE RING
4. BASE RING SEAL
5. BACKING WASHER
6. 170 mm MOUNTING STUD
7. CLAMP PLATE
8. CLAMP NUT

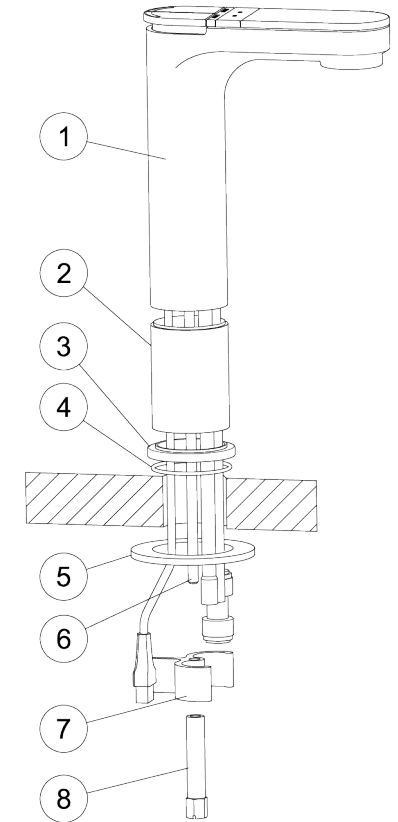


Figure 2. TAP ASSEMBLY