

# *Owner's Guide and Installation Instructions*



## *Electric Domestic Water Heater Model 31202519V*



*This water heater must be installed and serviced by a qualified person.  
Please leave this guide with the householder.*

**RHEEM NEW ZEALAND LIMITED**

[www.rheem.co.nz](http://www.rheem.co.nz)

For Service Telephone 0800 657 335 NEW ZEALAND

---

An electronic copy of these Owner's Guide and Installation Instructions  
can be downloaded from [rheem.co.nz](http://rheem.co.nz).

**PATENTS**

This water heater may be protected by one or more patents or registered designs  
in the name of Rheem Australia Pty Ltd or Rheem New Zealand Limited.

**TRADEMARKS**

® Registered trademark of Rheem Australia Pty Ltd or Rheem New Zealand Limited.  
TM Trademark of Rheem Australia Pty Ltd or Rheem New Zealand Limited.

**Note:** Every care has been taken to ensure the accuracy in preparation of this  
publication. No liability can be accepted for any consequences,  
which may arise as a result of its application.

---

# CONTENTS

---

## HOUSEHOLDER

This booklet contains important information about your new water heater, including terms of the Rheem warranty.

We recommend you read pages 8 to 23,  
and the terms of the Rheem warranty on pages 4 to 7.

The other pages are intended for the installer but may be of interest.

|   |           |
|---|-----------|
| <b>Warranty .....</b>                             | <b>4</b>  |
| <b>Safety, Warnings, Installation Notes .....</b> | <b>8</b>  |
| <b>About Your Water Heater .....</b>              | <b>12</b> |
| <b>Maintenance Requirements .....</b>             | <b>15</b> |
| <b>Water Supplies.....</b>                        | <b>17</b> |
| <b>Save A Service Call .....</b>                  | <b>21</b> |
| <b>Installation.....</b>                          | <b>24</b> |
| <b>Connections – Plumbing .....</b>               | <b>32</b> |
| <b>Connections – Electrical .....</b>             | <b>36</b> |
| <b>Commissioning.....</b>                         | <b>38</b> |
| <b>Draining The Water Heater .....</b>            | <b>39</b> |

---

# **RHEEM ELECTRIC DOMESTIC MAINS PRESSURE WATER HEATER WARRANTY – NEW ZEALAND ONLY**

---

## **ELECTRIC WATER HEATERS 312025 MODEL**

In addition to your legal right, in New Zealand Rheem New Zealand Limited makes the following promise to the owner. We will repair or, if necessary, replace a defective unit or part of it, which has failed due to faulty manufacture on the following terms and conditions:

### **1. THE RHEEM WARRANTY – GENERAL**

- 1.1 This warranty is given in respect of sales in New Zealand by Rheem New Zealand Limited of 475 Rosebank Road Avondale Auckland 1026.
- 1.2 Rheem offer a trained and qualified national service network who will repair or replace components at the address of the unit subject to the terms of the Rheem warranty in New Zealand – contact your Rheem Service Centre on 0800 657 335.
- 1.3 For details about this warranty, you can contact us at rheem@rheem.co.nz (not for service bookings) or phone your Rheem Service Centre on 0800 657 335.
- 1.4 The terms of this warranty and what is covered by it are set out in sections 2 and 3 and apply to water heaters manufactured from 1st November 2019.
- 1.5 If a subsequent version of this warranty is published, the terms of that warranty and what is covered by it will apply to water heaters manufactured after the date specified in the subsequent version.

### **2. TERMS OF THE RHEEM WARRANTY AND EXCLUSIONS TO IT**

- 2.1 Rheem may reject a claim under this warranty in its sole discretion if:
  - a) You do not arrange for a major service to be conducted on your water heater in the fifth year after installation, in accordance with Rheem's recommendation in the Owner's Guide and Installation Instructions; and
  - b) The fault giving rise to the warranty claim would have been detected and rectified during that major service.
- 2.2 The decision of whether to repair or replace a faulty component is at Rheem New Zealand Limited's sole discretion.
- 2.3 Where a failed component or cylinder is replaced under this warranty, the balance of the original warranty period will remain effective. The replacement does not carry a new Rheem warranty.
- 2.4 Where the unit is installed outside the boundaries of a metropolitan area, defined by Rheem as further than 25 km from a Rheem Service Centre, the cost of transport, insurance and travelling between the Rheem Service Centre and the installed site shall be the owner's responsibility.

---

# **RHEEM ELECTRIC DOMESTIC MAINS PRESSURE WATER HEATER WARRANTY – NEW ZEALAND ONLY**

---

## **ELECTRIC WATER HEATERS 312025 MODEL**

- 2.5 Where the unit is installed in a position that does not allow safe or ready access, the cost of that access, including the cost of additional materials handling and/or safety equipment, shall be the owner's responsibility. In other words, the cost of dismantling or removing cupboards, doors, walls, roofs or trap doors and the cost of any special equipment to bring the unit to floor or ground level or to a serviceable position is not covered by this warranty.
- 2.6 This warranty only applies to the original and genuine Rheem unit in its original installed location and any genuine Rheem replacement parts. It does not cover any plumbing, gas fitting or electrical parts supplied by the installer, that are not an integral part of the unit, e.g. pipe-work, pressure limiting valve, stop valves, non-return valves, electrical switches, pumps and fuses.
- 2.7 The Rheem warranty does not cover faults that are a result of:
- a) Accidental damage to the unit or any component, for example Acts of God such as floods, storms, fires, lightning strikes and the like and Third party acts or omissions.
  - b) Misuse or abnormal use of the unit.
  - c) Installation or use not in accordance with the Owner's Guide and Installation Instructions, New Zealand Building Code requirements or with relevant statutory and local requirements including failure to install a properly drained safe tray where required by the owners guide and installations.
  - d) Connection at any time to a water supply that does not comply with the water supply guidelines as outlined in the Owner's Guide and Installation Instructions, or poor water quality outside the limits specified in the owners guide and installation instructions.
  - e) Repairs, attempts to repair or modifications to the unit by a person other than Rheem Service or a Rheem Accredited Service Technician.
  - f) Faulty plumbing or faulty power supply.
  - g) Failure to maintain the unit in accordance with the Owner's Guide and Installation Instructions.
  - h) Transport damage.
  - i) Fair wear and tear from adverse conditions (for example, corrosion).
  - j) Cosmetic defects.
- 2.8 If you require a call out and we find that the fault is not covered by the Rheem warranty, you are responsible for Rheem Service Centre call out costs. If you wish to have the relevant component repaired or replaced by Rheem that service will be at your cost.
- 2.9 Rheem may reject a claim under this warranty in its sole discretion if a third party solar diverter is connected to the water heater.

---

# **RHEEM ELECTRIC DOMESTIC MAINS PRESSURE WATER HEATER WARRANTY – NEW ZEALAND ONLY**

---

## **ELECTRIC WATER HEATERS 312025 MODEL**

- 2.10 Subject to any statutory provisions to the contrary, this warranty excludes any and all claims however arising including under contract or tort for damage to furniture, carpet, walls, foundations or any other consequential loss or incidental expenses either directly or indirectly due to leakage from Rheem unit, or due to leakage from fittings and/ or pipe work of metal, plastic or other materials caused by water temperature, workmanship or other modes of failure.
- 2.11 This warranty excludes to the extent permissible all implied warranties set out in the Sale of Goods Act 1908 (New Zealand) and all guarantees set out in the Consumers Guarantees Act 1993 (New Zealand) to the extent that the goods are acquired for the purpose of resupply in trade consumption in the course of a process of production or manufacture or repairing or treating in trade other goods or fixtures on land.

### **3. WHAT IS COVERED BY THE RHEEM WARRANTY FOR THE WATER HEATERS DETAILED IN THIS DOCUMENT**

- 3.1 Rheem will repair or replace a faulty component of your unit if it fails to operate in accordance with its specifications as follows:

| <b>What components are covered</b> | <b>The period from the date of installation in which the fault must appear in order to be covered</b> | <b>What coverage you receive</b> |
|------------------------------------|---|----------------------------------|
|------------------------------------|---|----------------------------------|

#### **312025 model**

|   |               |   |
|---|---------------|---|
| <b>All components</b>   | Year 1        | Repair and/or replacement of the faulty component, free of charge, including labour.                            |
| <b>The cylinder</b><br>(if the water heater is installed in a single-family domestic dwelling)            | Years 2 to 5  | Repair and / or replacement of the cylinder, free of charge, including labour.                                  |
|   | Years 6 to 10 | Replacement cylinder, free of charge. Installation and repair labour costs are the responsibility of the owner. |
| <b>The cylinder</b><br>(if the water heater is <u>not</u> installed in a single-family domestic dwelling) | Years 2 & 3   | Replacement cylinder, free of charge. Installation and repair labour costs are the responsibility of the owner. |

---

# **RHEEM ELECTRIC DOMESTIC MAINS PRESSURE WATER HEATER WARRANTY – NEW ZEALAND ONLY**

---

## **ELECTRIC WATER HEATERS 312025 MODEL**

### **4. ENTITLEMENT TO MAKE A CLAIM UNDER THIS WARRANTY**

- 4.1 To be entitled to make a claim under this warranty you need to:
- a) Be the owner of the unit or have consent of the owner to act on their behalf.
  - b) Contact Rheem New Zealand Limited Service Department without undue delay after detection of the defect and, in any event, within the applicable warranty period.
  - c) Return the faulty component or unit as directed by the Rheem New Zealand Limited Service Department.
- 4.2 You are not entitled to make a claim under this warranty if your unit:
- a) Does not have its original serial numbers or rating labels.
  - b) Is not installed in New Zealand.

### **5. HOW TO MAKE A CLAIM UNDER THIS WARRANTY**

- 5.1 If you wish to make a claim under this warranty, you need to:
- a) Contact Rheem New Zealand on 0800 657 335 and provide the owner's details, address of the unit, a contact number and date of installation of the unit or if that's unavailable, the date of manufacture and serial number (from the rating label on the unit).
  - b) A Rheem Service Centre will arrange for the unit to be tested and assessed on-site.
  - c) If Rheem determines that you have a valid warranty claim, Rheem will repair or replace the unit in accordance with this warranty.
- 5.2 Any expenses incurred in the making of a claim under this warranty will be borne by you.

### **6. THE CONSUMER GUARANTEES ACT 1993 (NEW ZEALAND)**

- 6.1 Our goods come with guarantees that cannot be excluded under the Consumer Guarantees Act 1993 (New Zealand). If the goods fail to comply with the applicable guarantees set out under the Consumer Guarantees Act 1993 (New Zealand) being the guarantee as to acceptable quality, the guarantee as to correspondence with description or the guarantee as to repair and parts, or if the goods fail to comply with any express guarantee given by Rheem, then you are entitled to a replacement or refund and for compensation for any other reasonably foreseeable loss or damage.
- 6.2 The Rheem warranty (set out above) is in addition to any rights and remedies that you may have under the Consumer Guarantees Act 1993 (New Zealand).

---

# SAFETY, WARNINGS, INSTALLATION NOTES

---

It is important you read the following safety and warnings information.

## SAFETY AND WARNINGS

- This water heater is only intended to be operated by persons who have the experience or the knowledge and the capabilities to do so.
- This water heater is not intended to be operated by persons with reduced physical, sensory or mental capabilities i.e. the infirm, or by children. Children should be supervised to ensure they do not interfere with the water heater.
- If the electrical conduit to the water heater is damaged, it must be replaced by a qualified person in order to avoid a hazard. Phone your Rheem Service Centre to arrange for an inspection.
- This water heater uses 230 V a.c. power for the electrically operated components. The removal of the front cover will expose 230 V a.c. wiring. It must only be removed by a qualified person.
- This water heater is supplied with a thermostat, an over-temperature cut-out and a combination temperature pressure relief valve. These devices must not be tampered with or removed. The water heater must not be operated unless each of these devices is fitted and is in working order.

**The Rheem warranty may not cover faults if relief valves or other safety devices are tampered with or if the installation is not in accordance with these instructions.**

- **DANGER:** The operation of the over-temperature cut-out on a thermostat indicates a possibly dangerous situation. If the over-temperature cut-out operates, it must not be reset and the water heater must be serviced by a qualified person.
- The water heater will operate until a water temperature of 60°C to 70°C is reached, depending upon the thermostat setting.

Refer to **“How Hot Should The Water Be?”** on page 12 and **“Temperature Adjustment”** on page 13.

- The lever on the temperature pressure relief valve and expansion control valve (if fitted) requires to be operated every six (6) months to clear any deposits and to ensure the valve and its drain line are not blocked.

Refer to **“Relief Valves”** on page 9 and **“Minor Maintenance Every Six Months”** on page 16.

- For continued safety of this water heater it must be installed, operated and maintained in accordance with the Owner’s Guide and Installation Instructions.



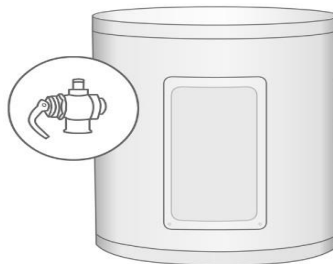
- Servicing of a water heater must only be carried out by qualified personnel. Phone your Rheem Service Centre.
- Only a person qualified to install or service a water heater can drain the water heater, if this is required.
- Do not modify this water heater.

## RELIEF VALVES

### Temperature Pressure Relief Valve

This water heater incorporates a temperature pressure relief valve located near the top of the water heater. This valve is essential for the water heater's safe operation.

It is possible for the valve to discharge a quantity of water through the drain line during each heating period. This quantity should be equal to approximately 1/50 of the hot water used, as water expands by this volume when heated.



### Expansion Control Valve

It is mandatory an expansion control valve is fitted to the cold water line to the water heater to comply with Clause G12 of the New Zealand Building Code, unless the water heater is installed as a push through installation.

The expansion control valve will discharge the quantity of water from its drain line during the heating period instead of the temperature pressure relief valve as it has a lower pressure rating.

### Valve Operation

Continuous leakage of water from either valve and its drain line may indicate a problem with the water heater. Refer to **“Temperature Pressure Relief Valve or Expansion Control Valve Running”** on page 22.

**⚠ Warning:** Never block the outlet of either valve or their drain lines for any reason. A relief valve drain must be left open to atmosphere, and be installed in a continuously downward direction.

In locations where water pipes are prone to freezing, the relief valve drain line must be insulated and not exceed 300 mm in length before discharging into a tundish through an air gap.

Operate the easing lever on the temperature pressure relief valve and expansion control valve once every six (6) months to clear any deposits and ensure the valve and its drain line are not blocked. **It is very important the lever is raised and lowered gently.** Refer to **“Minor Maintenance Every Six Months”** on page 16.

**⚠ Warning:** Water discharged from the temperature pressure relief valve drain line will be hot. Exercise care to avoid any splashing of water by standing clear of the drain line’s point of discharge when operating either valve’s easing lever.

**⚠ DANGER:** Failure to operate the easing lever on the relief valve once every six (6) months may result in the water heater cylinder failing, or under certain circumstances, exploding.

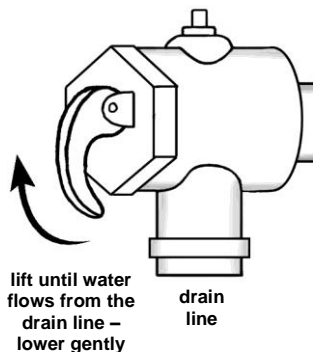
If water does not flow freely from the drain line when the lever is lifted, then the water heater must be checked. Phone your Rheem Service Centre to arrange for an inspection.

The temperature pressure relief valve should be replaced at intervals not exceeding five (5) years and the expansion control valve should be checked for performance or replaced at intervals not exceeding five (5) years. The checking of the valves performance or replacement should occur more frequently in areas where there is a high incidence of water deposits. Refer to **“Water Supplies”** on page 17.

### INSTALLATION NOTES

This water heater must be installed:

- by a qualified person,
- in accordance with the installation instructions,
- to conform to Clauses G12 and H1 of the New Zealand Building Code,
- in compliance with the Plumbing Standard AS/NZS 3500.4,
  - This water heater is suitable for either indoor or outdoor installation.
  - This water heater is intended to be permanently connected to the water mains and not connected by a hose-set. A braided flexible hose or semi-flexible connector may be used for connection to the water heater, where permitted by AS/NZS 3500.4.



- in compliance with the Australian / New Zealand Wiring Rules AS/NZS 3000,
  - Isolation switches must be installed in the electrical circuit to the water heater in accordance with the Wiring Rules, so the water heater can be switched off.
  - The power supply wires are to be directly connected to the terminal block and earth tab connection, with no excess wire loops inside the front cover. The temperature rating of the power supply wires insulation must suit this application, or the wiring protected by insulating sleeving with an appropriate temperature rating if it can make contact with the internal storage cylinder. The temperature of the internal storage cylinder can reach 70°C under normal operation.
- in compliance with all local codes and regulatory authority requirements,

Installation and commissioning requirements and details for the installing plumber and licensed electrical worker are contained on [pages 24 to 38](#).

### **Mains pressure water supply**

The water heater is designed to operate at mains pressure by connecting directly to the mains water supply.

The water heater is supplied with a temperature pressure relief valve with a pressure rating of 1000 kPa. If an expansion control valve has been installed on the cold water line to the water heater, this should have a pressure rating of 850 kPa.

The maximum mains water supply pressure for the water heater is 800 kPa if an expansion control valve is not installed, or 680 kPa if an expansion control valve is installed. If the mains supply pressure in your area exceeds these values, a pressure limiting valve must be installed.

The supply pressure should be greater than 350 kPa for true mains pressure operation to be achieved.

---

# ABOUT YOUR WATER HEATER

---

## WATER HEATER APPLICATION

This water heater is designed for use in a single family domestic dwelling for the purpose of heating potable water. Its use in an application other than this may shorten its life.

## MODEL TYPE

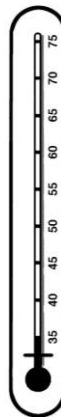
The Rheem® 312025 model water heater you have chosen has a single heating unit and is suitable for connection to a continuous power supply. The water heater is suitable for either indoor or outdoor installation.

Water is stored in a vitreous enamel lined steel cylinder and heated by the electric immersion heating unit. The thermostat controls the temperature. Automatic safety controls are fitted to the water heater to provide safe and efficient operation.

## HOW HOT SHOULD THE WATER BE?

The water heater features a tradesperson adjustable thermostat, which allows you to choose the most suitable temperature for your hot water needs. Refer to **“Temperature Adjustment”** on page 13.

To meet the requirements of the New Zealand Building Code the temperature of the stored water must not be below 60°C.



← maximum thermostat setting 312025 model

← minimum thermostat setting and minimum recommended stored water temperature

← maximum recommended supply temperature to bathrooms and ensuites

## HOTTER WATER INCREASES THE RISK OF SCALD INJURY

This water heater can deliver hot water at temperatures up to 70°C depending upon the thermostat setting, sufficiently hot to cause severe scalding. Water at these temperatures may have been plumbed to fixtures where water hotter than 55°C is allowed, such as the kitchen and laundry.

Check the water temperature before use, such as when entering a shower or filling a bath or basin, to ensure it is suitable for the application and will not cause scald injury.

We recommend and it may also be required by regulations that an approved temperature limiting device be fitted into the hot water pipe work to the bathroom and ensuite when a Rheem 312 series water heater is installed. This will keep the water temperature below 55°C at the bathroom and ensuite. The risk of scald injury will be reduced and still allow hotter water to the kitchen and laundry.

### **THERMOSTAT**

The thermostat automatically controls the electricity supply to the heating unit so a constant temperature is maintained. The thermostat and its protective over temperature cut out is mounted inside the front cover of the water heater. There is no need to switch the water heater off when it is not in use, except when you are on an extended holiday. The thermostat is fully automatic and power is only used when heating is required.

### **TEMPERATURE ADJUSTMENT**

A Rheem 312025 model water heater features a tradesperson adjustable thermostat. This requires a licensed electrical worker to make any temperature adjustments. The thermostat has a maximum temperature setting of 70°C. The minimum temperature setting is 60°C.

We advise you to have a licensed electrical worker adjust the thermostat to the lowest temperature setting that meets your needs, especially if there are young children or elderly people in your home. Refer to [“Hotter Water Increases The Risk of Scald Injury”](#) on page 12.

### **PRECAUTIONS**

Where damage to property can occur in the event of the water heater leaking, the water heater must be installed in a safe tray. Construction, installation and draining of a safe tray must comply with AS/NZS 3500.4 and all local codes and regulatory authority requirements. The safe tray must also meet the requirements of Clause G12 of the New Zealand Building Code. AS/NZS 3500.4 and the NZBC also have particular requirements when a safe tray must be installed.

The water heater must be maintained in accordance with the Owner’s Guide and Installation Instructions. Refer to [“Maintenance Requirements”](#) on page 15 and to [“Anode Inspection and Replacement”](#) on page 18.

If this water heater is to be used where an uninterrupted hot water supply is necessary for your application or business you should ensure that you have back-up redundancy within the hot water system design. This should ensure the continuity of hot water supply in the event that this water heater were to become inoperable for any reason. We recommend you seek advice from a plumber or specifier about your needs and building back-up redundancy into your hot water supply system.

### **TO TURN OFF THE WATER HEATER**

If you plan to be away from home for only a few nights, we suggest you leave the water heater switched on.

If it is necessary to turn off the water heater:

- Switch off the electrical supply at the water heater isolating switch on the switchboard or at the isolating switch at the water heater (if installed).
- Close the cold water isolation valve at the inlet to the water heater.

### **TO TURN ON THE WATER HEATER**

- Open the cold water isolation valve fully on the cold water line to the water heater.
- Switch on the electrical supply at the water heater isolating switch on the switchboard and at the isolating switch at the water heater (if installed).

### **GOING ON HOLIDAY?**

If you plan to be away from home for one or two nights, we suggest you leave the water heater switched on. However, if you plan to stay away more than a few nights, conserve energy by switching the water heater off at either the switchboard or isolating switch (if one is installed).

**Note:** When the electrical supply is switched back on, the water heater will take some time to reheat the water.

### **DOES THE WATER CHEMISTRY AFFECT THE WATER HEATER?**

The water heater is suitable for most public water supplies, however some water chemistries may have detrimental effects on the water heater, its components and fittings. Refer to **“Water Supplies”** on page 17.

If you are in a known harsh water area or you are not sure of your water chemistry, have your water checked against the conditions **described on pages 17 to 20**.

### **HOW LONG WILL THE WATER HEATER LAST?**

The water heater is supported by a manufacturer’s warranty (**refer to page 4**). There are a number of factors that will affect the length of service the water heater will provide. These include but are not limited to the water chemistry, the water pressure, the water temperature (inlet and outlet) and the water usage pattern. Refer to **“Precautions”** on page 13.

---

# MAINTENANCE REQUIREMENTS

---

## MAJOR SERVICE EVERY FIVE YEARS

It is recommended a major service be conducted on the water heater every five (5) years.

**⚠ Warning:** Servicing of a water heater must only be carried out by qualified personnel. Phone your Rheem Service Centre.

**Note:** The major service and routine replacement of any components, such as the anode and relief valve(s), are not included in the Rheem warranty. A charge will be made for this work. Only genuine replacement parts should be used on this water heater.

The major service includes the following actions:

- Replace the temperature pressure relief valve.
- Inspect and flush the expansion control valve (if fitted). If required, replace the valve.
- Inspect and if required, replace the anode.

If the anode is not replaced, it should be replaced within five (5) years of this service (refer to **"Anode Inspection and Replacement"** on page 18).


- Check the electric heating unit for excessive calcium build-up or corrosion and replace if necessary.
- Visually check the unit for any potential problems.
- Inspect all connections.
- Check the drain line from the safe tray (if one is installed) is not blocked.

**Note:** The water heater may need to be drained during this service. After the completion of the service, the water heater will take some time to reheat the water.

### **MINOR MAINTENANCE EVERY SIX MONTHS**

It is recommended minor maintenance be performed every six (6) months. Minor maintenance can be performed by the dwelling occupant.

The minor maintenance includes:

- Operate the easing lever on the temperature pressure relief valve. **It is very important the lever is raised and lowered gently.** Refer to “Relief Valves” on page 9.  
 **Warning:** Water discharged from the temperature pressure relief valve drain line will be hot. Exercise care to avoid any splashing of water by standing clear of the drain line’s point of discharge when operating the valve’s easing lever.
- Operate the easing lever on the expansion control valve (if fitted). **It is very important the lever is raised and lowered gently.** Refer to “Relief Valves” on page 9.
- Check the drain line from the safe tray (if one is installed) is not blocked.



---

## WATER SUPPLIES

---

**This water heater must be installed in accordance with this advice to be covered by the Rheem warranty.**

This water heater is manufactured to suit the water conditions of most public reticulated water supplies. However, there are some known water chemistries which can have detrimental effects on the water heater and its operation and / or life expectancy. If you are unsure of your water chemistry, you may be able to obtain information from your local water supply authority. This water heater should only be connected to a water supply which complies with these guidelines for the Rheem warranty to apply.

### **CHANGE OF WATER SUPPLY**

The changing or alternating from one water supply to another can have a detrimental effect on the operation and / or life expectation of a water heater cylinder, a temperature pressure relief valve and a heating unit.

Where there is a changeover from one water supply to another, e.g. a rainwater tank supply, bore water supply, desalinated water supply, public reticulated water supply or water brought in from another supply, then water chemistry information should be sought from the supplier or it should be tested to ensure the water supply meets the requirements given in these guidelines for the Rheem warranty to apply.

### **ANODE**

The vitreous enamel lined cylinder of the 312025 water heater is supplied with a black colour coded anode and is only covered by the Rheem warranty when the total dissolved solids (TDS) content in the water is from 40 mg/L to 600 mg/L.

The changing of an anode must be carried out by a qualified person.

**Note:** Some water analysis reports may state the conductivity of the water rather than the level of total dissolved solids. Conductivity, measured in microsiemens per centimetre ( $\mu\text{S} / \text{cm}$ ), is directly proportional to the TDS content of the water. TDS, in mg / L, is approximately 70% of the conductivity in  $\mu\text{S} / \text{cm}$ .

## **ANODE INSPECTION AND REPLACEMENT**

The anode installed in your water heater will slowly dissipate whilst protecting the cylinder. The life of the cylinder may be extended by replacing the anode.

For water supplies which are either softened or desalinated, or where the water supply may alternate between a water tank and a reticulated public supply or another supply, or where there is a variable supply (e.g. from a bore or public reticulated supply from various water sources), the anode must be inspected (and replaced if there is any sign of depletion) within five (5) years of its installation, and within every three (3) years thereafter.

For all water supplies, if the anode is not replaced during a major service (refer to **“Major Service Every Five Years”** on page 15) then the maximum time after installation when the anode should be replaced for this water heater is ten (10) years.

### **CAUTION**

If the water supply has a TDS greater than 600 mg/L, there is the possibility the anode may become overactive and hydrogen gas could accumulate in the top of the water heater during long periods of no use.

If, under these conditions, the water heater has not been used for two or more weeks the following procedure should be carried out before using any electrical appliances (automatic washing machines and dishwashers) which are connected to the hot water supply.

The hydrogen, which is highly flammable, should be vented safely by opening a hot tap and allowing the water to flow. There should be no smoking or naked flame near the tap whilst it is turned on. Any hydrogen gas will be dissipated. This is indicated by an unusual spurting of the water from the tap. Once the water runs freely, any hydrogen in the system will have been released.

**SATURATION INDEX**

The saturation index is used as a measure of the water’s corrosive or scaling properties. The saturation index figures stated are calculated using a water temperature of 80°C.

In a corrosive water supply, the water can attack copper parts and cause them to fail. Where the saturation index is less than -1.0, the water is very corrosive and the Rheem warranty does not apply to a copper sheathed heating unit. A corrosion resistant heating unit must be used for the Rheem warranty to apply to the heating unit.

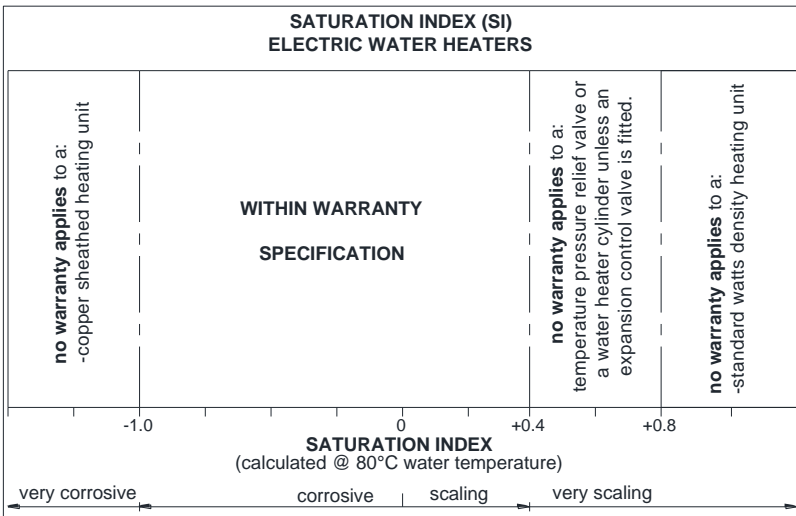
In a scaling water supply calcium carbonate is deposited out of the water onto any hot metallic surface. Where the saturation index exceeds +0.40, the water is very scaling. An expansion control valve must be fitted on the cold water line after the non-return valve to protect and for the Rheem warranty to apply to the temperature pressure relief valve and water heater cylinder.

Where the saturation index exceeds +0.80, the Rheem warranty does not apply to a standard watts density heating unit. A low watts density heating unit must be used for the Rheem warranty to apply to the heating unit.

Water which is scaling may be treated with a water softening device to reduce the saturation index of the water.

Refer to the **Saturation Index chart** on page 19. Refer to the **cold water connection detail on page 32** for the position of the expansion control valve.

Contact your Rheem Service Centre if a replacement heating unit is required.



**SUMMARY OF WATER CHEMISTRY ADVICE AFFECTING WARRANTY**

The water heater and its components are not suitable for certain water chemistries. Those chemistries are listed below. If the water heater is connected at any time to a water supply with the following water chemistry, the Rheem warranty will not cover any resultant faults on the components listed below:

| <b>Water Chemistry</b>  | <b>Component</b>   |
|---|--|
| Total Dissolved Solids (TDS) > 600 mg/L<br>(black colour coded anode installed) | water heater cylinder                                      |
| Total Dissolved Solids (TDS) < 40 mg/L<br>(black colour coded anode installed)  | water heater cylinder                                      |
| Saturation Index (SI) < -1.0  | copper sheathed heating unit                               |
| Saturation Index (SI) > +0.4<br>(if expansion control valve is not fitted)      | water heater cylinder<br>temperature pressure relief valve |
| Saturation Index (SI) > +0.8  | standard watts density heating unit                        |

---

## SAVE A SERVICE CALL

---

Check the items below before making a service call. You will be charged for attending to any condition or fault that is not related to the manufacture or failure of a part.

### NOT ENOUGH HOT WATER (OR NO HOT WATER)

- **Is the electricity switched on?**

Inspect the isolating switch marked “HOT WATER” or “WATER HEATER” at the switchboard and the isolating switch (if one is installed) near the water heater and ensure they are turned on.

Check the fuse or circuit breaker marked “HOT WATER” or “WATER HEATER” at the switchboard.



- **Are you using more hot water than you think?**

Is one outlet using more hot water than you think? Very often it is not realised the amount of hot water used.

Carefully review the family’s hot water usage. Have a plumber fit a flow control valve to each outlet to reduce water usage.

- **Relief valve running**

Is the relief valve discharging too much water?

Refer to “[Temperature Pressure Relief Valve or Expansion Control Valve Running](#)” on page 22.

- **Thermostat setting**

Ensure the thermostat setting is appropriate. You may choose to have a licensed electrical worker check and adjust the thermostat upwards to gain additional hot water capacity.

Refer to “[Temperature Adjustment](#)” on page 13.

 **Warning:** Hotter water increases the risk of scald injury.

- **Water heater size**

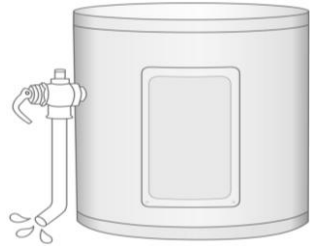
Do you have the correct size water heater for your requirements?

The sizing guide in the Rheem sales literature and on the Rheem website ([www.rheem.com.au](http://www.rheem.com.au)) suggests average sizes that may be needed.

## TEMPERATURE PRESSURE RELIEF VALVE OR EXPANSION CONTROL VALVE RUNNING

- **Normal Operation**

It is normal and desirable the temperature pressure relief valve or expansion control valve (if fitted) allows a quantity of water to escape during the heating cycle. This quantity should be equal to approximately 1/50 of the hot water used, as water expands by this volume when heated. However, if it discharges more than a bucket full of water in 24 hours, there may be another problem.



The expansion control valve will discharge water instead of the temperature pressure relief valve as it has a lower pressure rating. A benefit is that energy is conserved as the discharged water is cooler. This valve is installed in the cold water line to the water heater (refer to the **cold water connection diagram** on page 32).

- **Continuous dribble**

Try gently raising the easing lever on the relief valve for a few seconds (refer to **“Relief Valves”** on page 9). This may dislodge a small particle of foreign matter and clear the fault. Release the lever gently.

- **Steady flows for long period (often at night)**

This may indicate the mains water pressure sometimes rises above the designed pressure of the water heater. Ask your installing plumber to fit a pressure limiting valve.

**⚠ Warning:** Never replace the relief valve with one of a higher pressure rating.

- **Heavy flows of hot water from the temperature pressure relief valve until water heater is cold - then stops until water reheats**

The water heater **must** be switched off at the switchboard. Phone your Rheem Service Centre to arrange for an inspection.

## HIGHER THAN EXPECTED ELECTRICITY BILLS

Should you at any time, feel your electricity bill is higher than expected, we suggest you check the following points:

- Is the relief valve running excessively?

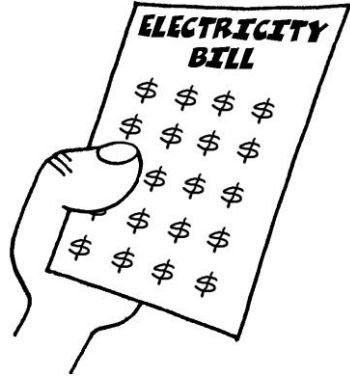
Refer to “**Temperature Pressure Relief Valve or Expansion Control Valve Running**” on page 22.

- Is one outlet using more hot water than you think?

Refer to “**Not Enough Hot Water**” on page 21.

- Is there a leaking hot water pipe, dripping hot water tap, etc?

Even a small leak will waste a surprising quantity of hot water and electricity. Replace faulty tap washers, and have a plumber rectify any leaking pipe work.



- Has there been an increase in hot water usage?

An increase in hot water usage will result in an increase in water heater operation.

- Has your water heating tariff rate been increased by your electricity retailer since your previous bill?

## ELECTRICITY TARIFFS

The electricity tariff to which your water heater is connected will determine the overall operating cost of the system. It is important you are aware of this tariff, i.e. Domestic / Continuous or Time of Use.

**IF YOU HAVE CHECKED ALL THE FOREGOING AND STILL BELIEVE YOU NEED ASSISTANCE, PHONE YOUR RHEEM SERVICE CENTRE.**

---

# INSTALLATION

---

## THIS WATER HEATER IS NOT SUITABLE FOR POOL HEATING

### INSTALLATION STANDARDS

The water heater must be installed:

- by a qualified person, and
- in accordance with the installation instructions, and
- to conform to Clauses G12 and H1 of the New Zealand Building Code, and
- in compliance with Standards AS/NZS 3500.4 and AS/NZS 3000, and all local codes and regulatory authority requirements.

**⚠ Warning:** – This water heater may deliver water at high temperature. Refer to the New Zealand Building Code, local requirements and these installation instructions to determine if additional delivery temperature control is required. Refer to “**Hot Water Delivery**” on page 26.

All packaging materials must be removed from the water heater prior to its installation. This includes the removal of the cardboard base of the carton from the underside of the water heater.

### WATER HEATER APPLICATION

This water heater is designed for use in a single family domestic dwelling for the purpose of heating potable water. Its use in an application other than this may shorten its life.

If this water heater is to be used where an uninterrupted hot water supply is necessary for the application or business, then there should be back-up redundancy within the hot water system design. This should ensure the continuity of hot water supply in the event that this water heater was to become inoperable for any reason. We recommend you provide advice to the system owner about their needs and building back-up redundancy into the hot water supply system.

### WATER HEATER LOCATION

The water heater is suitable for either indoor or outdoor installation. Whether located outdoor or indoor, the water heater should be installed close to the most frequently used outlet and its position chosen with safety and service in mind.

Clearance must be allowed for servicing of the water heater. The water heater must be accessible without the use of a ladder or scaffold.

Make sure the temperature pressure relief valve lever is accessible and the front cover, thermostat and heating unit can be removed for service.



You must be able to read the information on the rating plate. If possible leave headroom of one water heater height so the anode can be inspected or replaced. Remember you may have to take the entire water heater out later for servicing.

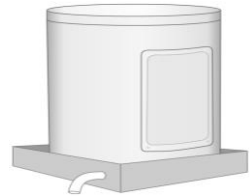
The water heater is to be installed at ground or floor level, or in a suitable cupboard. Alternatively, it may be hung on a wall capable of taking the weight of the filled water heater using a suitable wall bracket and fixings. It must stand vertically upright on a stable base as acceptable to local authorities. The base of the water heater is made of corrosion resistant material, and it may be placed directly in contact with the supporting surface. It is not necessary to allow for free air circulation under the base of the water heater.

**Note:** The water heater should not be placed in direct contact with a concrete surface that is less than two months old and not fully cured as this may attack the metal coating of the water heater base. A moisture barrier should be used between the two surfaces in this instance. The barrier should extend at least 100 mm from the water heater and may be trimmed after two months.

Remember all local authorities have regulations about putting water heaters into roof spaces.

**SAFE TRAY**

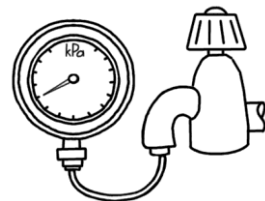
Where damage to property can occur in the event of the water heater leaking, the water heater must be installed in a safe tray. Construction, installation and draining of a safe tray must comply with AS/NZS 3500.4 and all local codes and regulatory authority requirements. The safe tray must also meet the requirements of Clause G12 of the New Zealand Building Code. AS/NZS 3500.4 and the NZBC also have particular requirements when a safe tray must be installed.



**MAINS WATER SUPPLY**

Where the mains water supply pressure exceeds that shown in the table below, an approved pressure limiting valve is required and should be fitted as shown in the **cold water connection diagram** on page 32.

| Model                            | 312025   |
|----------------------------------|----------|
| Temp press relief valve setting  | 1000 kPa |
| Expansion control valve setting* | 850 kPa  |
| Maximum mains supply pressure    |          |
| With expansion control valve     | 680 kPa  |
| Without expansion control valve  | 800 kPa  |



\* Expansion control valve not supplied with water heater

**TANK WATER SUPPLY**

If the water heater is supplied with water from a tank supply and a pressure pump system is not installed, then the bottom of the supply tank must be at least 1 m above the highest point of the hot water plumbing system, including the water heater. Care must be taken to avoid air locks. The cold water line to the water heater should be adequately sized and fitted with a full flow gate valve or ball valve.

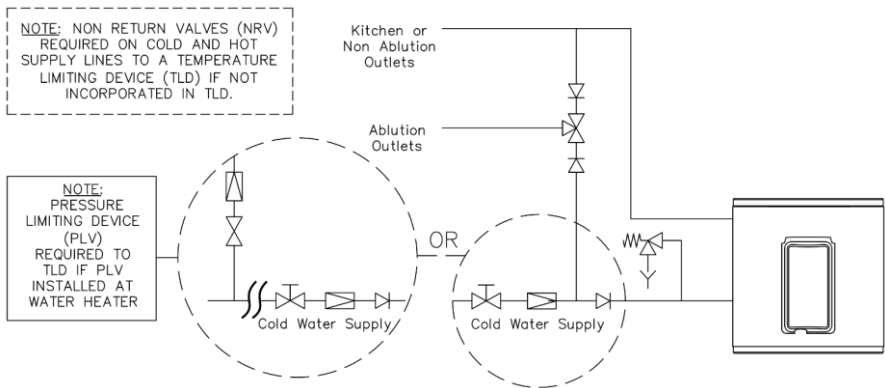
**HOT WATER DELIVERY**

This water heater can deliver hot water at temperatures up to 70°C depending upon the thermostat setting, sufficiently hot to cause severe scalding. Water at this temperature may be plumbed to fixtures where water hotter than 55°C is allowed, such as the kitchen and laundry.

The installing plumber may have a legal obligation to ensure the installation of this water heater meets the water temperature delivery requirements of Clause G12 of the New Zealand Building Code so that heated water delivered to sanitary fixtures and appliances used primarily for personal hygiene is at a temperature which is unlikely to scald.

It is necessary and we recommend that a temperature limiting device be fitted between a Rheem 312025 model water heater and the fixtures and appliances used primarily for personal hygiene such as in a bathroom, ensuite, public amenities or other ablution areas, to reduce the risk of scalding.

Where a temperature limiting device is installed adjacent to the water heater, the cold water line to the temperature limiting device can be branched off the cold water line either before or after the isolation valve and pressure limiting valve, but must branch off before the non-return valve to the water heater. The expansion control valve must always be installed after the non-return valve and be the last valve prior to the water heater.



**Two Temperature Zones Using a Temperature Limiting Device**

If a pressure limiting valve is installed on the cold water line to the water heater and the cold water line to a temperature limiting device branches off before this valve or from another cold water line in the premises, then a pressure limiting valve of an equal pressure setting may be required prior to the temperature limiting device.

### **CIRCULATED HOT WATER FLOW AND RETURN SYSTEM**

A Rheem 312025 model can be installed as a secondary water heater in the circulated flow and return system and supplied from an Off-Peak or Extended Off-Peak electric, or a heat pump or solar water heater. The flow and return lines connect to the secondary water heater, not the Off-Peak or Extended Off-Peak electric, heat pump or solar water heater. The secondary water heater makes up for the pipe heat loss in the flow and return system.

**Note:** The thermostat must always be set to maintain a temperature of at least 60°C in the hot water flow and return line, including making up pipe heat losses in the system.

Refer to the [Circulated Hot Water Flow and Return Off-Peak Electric, Heat Pump or Solar Water Heater](#) diagram on page 28.

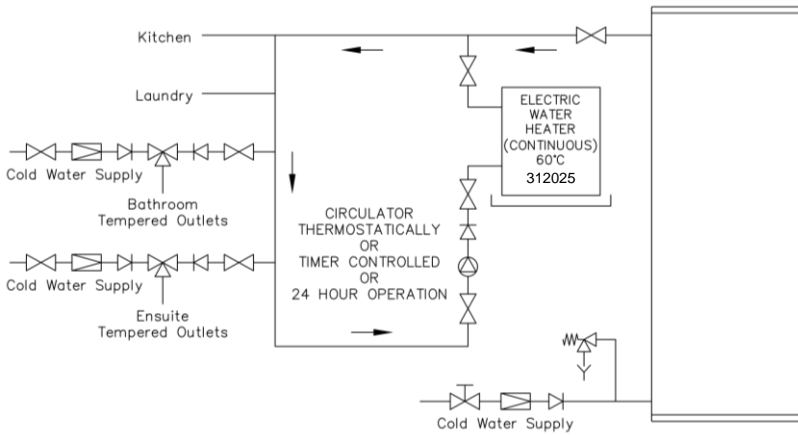
### **Temperature Limiting Device**

A temperature limiting device cannot be installed in circulated hot water flow and return pipe work. The tempered water from a temperature limiting device cannot be circulated. Where a circulated hot water flow and return system is required in a building, a temperature limiting device can only be installed on a dead leg, branching off the circulated hot water flow and return pipe.

If circulated tempered water were to be returned back to the water heater, depending on the location of the return line connection on the water supply line to the water heater, then either:

- water will be supplied to the cold water inlet of the temperature limiting device at a temperature exceeding the maximum recommended water supply temperature, or
- when the hot taps are closed no water will be supplied to the cold water inlet of the temperature limiting device whilst hot water will continue to be supplied to the hot water inlet of the temperature limiting device.

These conditions may result in either water at a temperature exceeding the requirements of Clause G12 of the New Zealand Building Code being delivered to the hot water outlets in the ablution areas, or the device closing completely and not delivering water at all, or the device failing. Under either condition, the operation and performance of the device cannot be guaranteed.



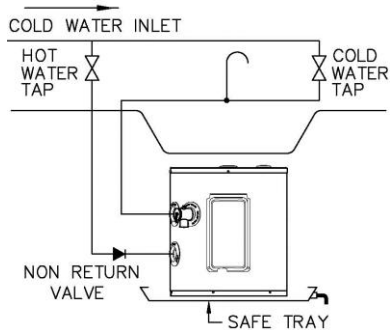
**NOTE:** A PLV IS REQUIRED TO BE INSTALLED ON THE COLD SUPPLY LINE TO THE TEMPERING VALVE IF A PLV IS INSTALLED ON THE COLD SUPPLY LINE TO THE WATER HEATER.

### Circulated Hot Water Flow and Return System Off-Peak Electric, Heat Pump or Solar Water Heater

#### PUSH THROUGH (FREE OUTLET) INSTALLATION

It can be advantageous to plumb a 312025 model water heater as a Push Through water heater in some cases.

These installations can supply a single point non-tempered non-ablution outlet only. The temperature pressure relief valve supplied with this model **must** be fitted to the water heater.



#### REDUCING HEAT LOSSES

The cold water line to and the hot water line from the water heater must be insulated in accordance with the requirements of Clauses G12 and H1 of the New Zealand Building Code and AS/NZS 3500.4. The insulation must be weatherproof and UV resistant if exposed.

#### SEISMIC RESTRAINT

New Zealand Building Code Clause B1.3.2 requires building elements (including storage water heaters) to be adequately supported including support against earthquake forces. This water heater must be restrained to protect against seismic forces.

**ANODE**

The vitreous enamel lined cylinder of the 312025 water heater is supplied with a black colour coded anode and is only covered by the Rheem warranty when the total dissolved solids (TDS) content in the water is from 40 mg/L to 600 mg/L.

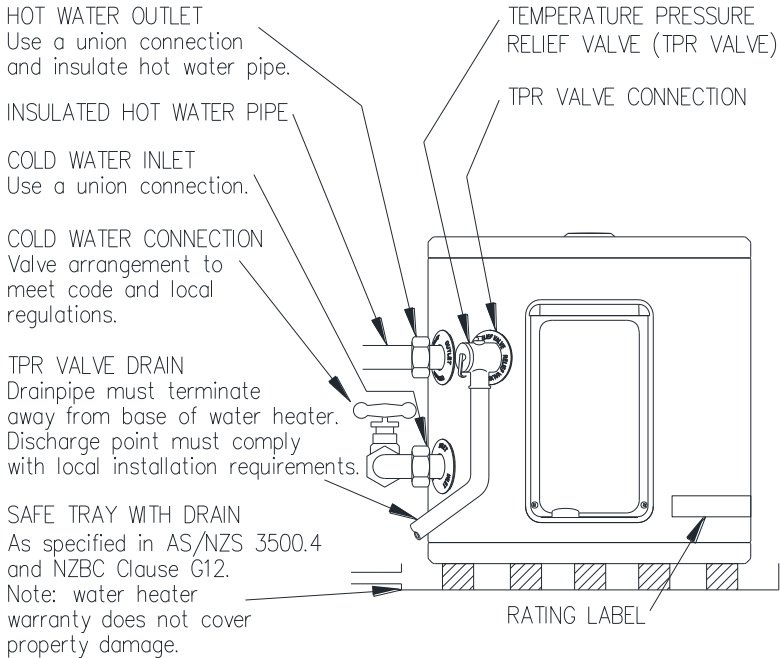
If the water supply has a TDS greater than 600 mg/L, there is the possibility the anode may become overactive and hydrogen gas could accumulate in the top of the water heater during long periods of no use. In areas where this is likely to occur, the installer should instruct the householder on how to dissipate the gas safely (refer to “**Caution**” on page 18).

**SADDLING PIPE WORK**

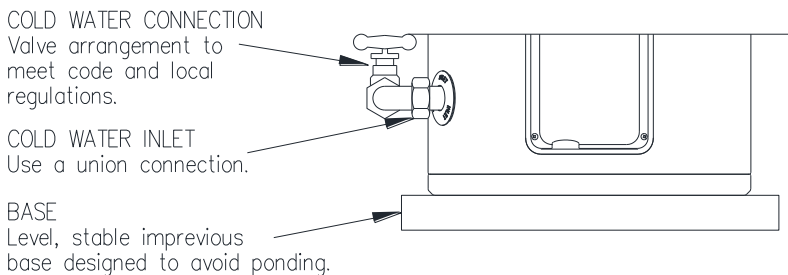
To prevent damage to the cylinder when attaching pipe clips or saddles to the water heater jacket, we recommend the use of self-drilling screws with a maximum length of 13 mm. Should pre-drilling be required, extreme caution must be observed when penetrating the jacket of the water heater.

**Note: If the cylinder is damaged as a result of attaching pipe clips or saddles to the jacket, any resultant faults will not be covered by the Rheem warranty.**

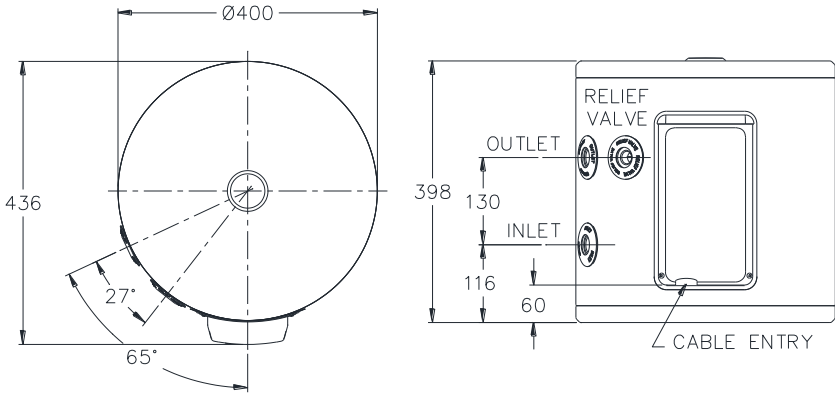
**TYPICAL INSTALLATION – INDOOR LOCATION**



**TYPICAL INSTALLATION – OUTDOOR LOCATION**



**DIMENSIONS AND TECHNICAL DATA – RHEEM 312025 MODEL**



| Model     | Storage Capacity | TPR Valve Setting | Approx. Weight empty |
|-----------|------------------|-------------------|----------------------|
| 31202519V | 25 litres        | 1000 kPa          | 16 kg                |

This model is suitable for either indoor or outdoor installation.  
 The 312025 model has left hand (LH) water and TPR valve connections.  
 Technical data is subject to change.

---

# CONNECTIONS – PLUMBING

---

All plumbing work must be carried out by a qualified person and in accordance with Clauses G12 and H1 of the New Zealand Building Code, the Standard AS/NZS 3500.4 and all local codes and regulatory authority requirements.

## CONNECTION SIZES

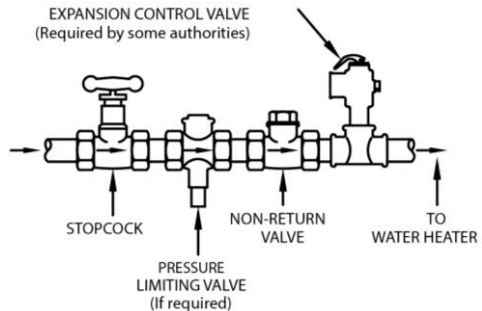
- Hot water connection Rp 3/4
- Cold water connection Rp 3/4
- Relief valve connection Rp 1/2

## WATER INLET AND OUTLET

The water connections can be made to either side. The Rheem 312025 model water heater has cold and hot water connections on the left hand side.

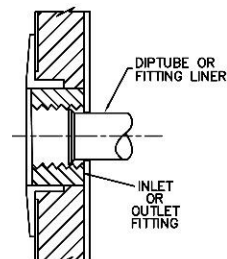
All pipe work must be cleared of foreign matter before connection and purged before attempting to operate the water heater. All olive compression fittings must use brass or copper olives. Use an approved thread sealant such as Teflon tape on all sealing threads.

An isolation valve and non-return valve must be installed on the cold water line to the water heater. An acceptable arrangement is shown in the diagram. Refer also to “**Hot Water Delivery**” on page 26 and to “**Mains Water Supply**” on page 25.



A disconnection union must always be provided at the cold water inlet and hot water outlet on the water heater to allow for disconnection of the water heater.

This water heater has either a plastic dip tube or fitting liner in the inlet and outlet fittings (see diagram). These must be in place for the water heater to function properly. Do not remove or damage them by using heat nearby. They will be pushed into the correct position as the fitting is screwed in.





This water heater is intended to be permanently connected to the water mains and not connected by a hose-set. A braided flexible hose or semi-flexible connector may be used for connection to the water heater, where permitted by AS/NZS 3500.4.

### PIPE SIZES

To achieve true mains pressure operation, the cold water line to the water heater should be the same size or bigger than the hot water line from the water heater.

The pipe sizing for hot water supply systems should be carried out by persons competent to do so, choosing the most suitable pipe size for each individual application. Reference to the technical specifications of the water heater and local regulatory authority requirements must be made.

### TEMPERATURE PRESSURE RELIEF VALVE

A 312025 model water heater has a temperature pressure relief valve connection on the left hand side.

The temperature pressure relief valve is shipped in a plastic bag attached to the water heater. The temperature pressure relief valve must be fitted before the water heater is operated. Before fitting the relief valve, make sure the probe has not been bent.

To fit the relief valve:

- Seal the thread with an approved thread sealant such as Teflon tape - never hemp. Make sure tape does not hang over the end of the thread.
- Hand tighten the valve into the selected opening, labelled "Relief Valve" (refer to the **installation diagram** on page 30).
- Using a spanner engaged on the valve's spanner flats and applying medium pressure to tighten, turn the relief valve an additional  $\frac{1}{2}$  to  $1 \frac{1}{2}$  turns to secure and make the joint water tight, leaving the valve drain pointing downwards.



**Warning:** Do not use a pipe wrench or poor fitting tool on the valve body nor over tighten the valve, as this could damage the valve and prevent safe operation.

- Operate the easing lever on the valve to check the smooth operation of the valve plunger. It is very important the lever is raised and lowered gently. The lever should move smoothly and without undue force.

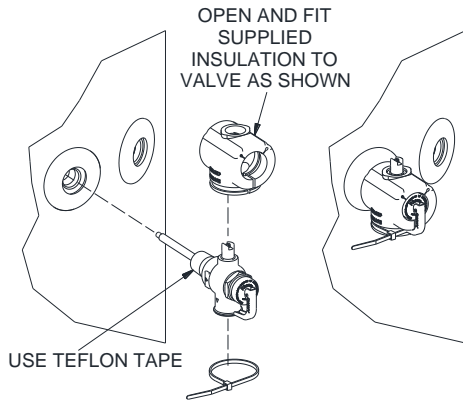
If the lever cannot be moved or is jerky in its movement, then the valve has been damaged and must be replaced.

- A copper drain line must be fitted to the temperature pressure relief valve (refer to **"Relief Valve Drain"** on page 35).

- The valve must be insulated with closed cell polymer insulation or similar (minimum thickness 9 mm) and the insulation installed so as not to impede the operation of the valve.

The insulation must be weatherproof and UV resistant if exposed.

The preformed insulation collar supplied with the temperature pressure relief valve meets these requirements and must be placed over the body of the valve and secured in position with the cable tie provided after the valve has been fitted to the water heater (refer to the [diagram](#) on page 34).



**preformed insulation collar**

### EXPANSION CONTROL VALVE

It is mandatory to install an expansion control valve (ECV) in the cold water line to the water heater to comply with Clause G12 of the New Zealand Building Code, unless the water heater is installed as a push through installation (refer to ["Push Through \(Free Outlet\) Installation"](#) on page 28).

The expansion control valve must always be installed after the non-return valve and be the last valve installed prior to the water heater (refer to the [cold water connection diagram](#) on page 32). A copper drain line must be fitted to the expansion control valve (refer to ["Relief Valve Drain"](#) on page 35).

The valve, if installed within 500 mm of the water heater, must be insulated with closed cell polymer insulation or similar (minimum thickness 9 mm) and the insulation installed so as not to impede the operation of the valve. The insulation must be weatherproof and UV resistant if exposed.

## RELIEF VALVE DRAIN

DN15 copper drain lines must be fitted to the temperature pressure relief valve and expansion control valve (if one is installed) to carry the discharge clear of the water heater. Connect the drain lines to the valves using disconnection unions. The drain line from the valve to the point of discharge should be as short as possible, have a continuous fall all the way from the water heater to the discharge outlet and have no tap, valves or other restrictions in the pipe work. A drain line from a relief valve must comply with the requirements of AS/NZS 3500.4 and Clause G12 of the New Zealand Building Code.

The length of the drain line in metres plus the number of changes in direction must not exceed twelve (12). For example a drain line nine (9) metres in length can have no more than three bends before discharging at an outlet or air gap. The length of a drain line is to be reduced by one (1) metre for each additional bend required. Where the distance in metres and number of changes in direction to the point of final discharge exceeds twelve (12), the drain line can discharge into a tundish.

In New Zealand the drain lines from the temperature pressure relief valve and expansion control valve from an individual water heater may be interconnected where freezing is unlikely to occur. The combined drain line must have a minimum size of DN20 and discharge via a minimum air gap of a minimum 25 mm.

The outlet of a drain line must be in such a position that flow out of the pipe can be easily seen, but arranged so discharge will not cause injury, damage or nuisance. The termination point of a drain line must comply with the requirements of AS/NZS 3500.4. Drain lines must not discharge into a safe tray.

In locations where water pipes are prone to freezing, drain lines must be insulated, must not exceed 100 mm in length and are to discharge into a tundish through an air gap of a minimum 25 mm.

If a drain line discharges into a tundish, the drain line from the tundish must be not less than DN20 and one size larger than drain line from the relief valve(s). The drain line from a tundish must meet the same requirements as for a drain line from a relief valve.

**⚠ Warning:** As the function of the temperature pressure relief valve on this water heater is to discharge high temperature water under certain conditions, it is strongly recommended the pipe work downstream of the relief valve be capable of carrying water exceeding 93°C. Failure to observe this precaution may result in damage to pipe work and property.

---

## CONNECTIONS – ELECTRICAL

---

**The power supply to the water heater must not be switched on until the water heater is filled with water** and a satisfactory megger reading is obtained.

All electrical work and permanent wiring must be carried out by a qualified person and in accordance with the edition of the Wiring Rules AS/NZS 3000 in force at the time of installation, and all local codes and regulatory authority requirements.

### **WATER HEATER**

The water heater must be directly connected to a 230 V a.c. 50 Hz mains power supply with an isolating switch installed at the switchboard.

The Wiring Rules AS/NZS 3000:2018 requires a second and lockable isolating switch be installed adjacent to but not on or attached to the water heater, and a residual current device (RCD) installed in the electrical circuit to the water heater.

The water heater is suitable for connection to a continuous power supply.

A flexible 20 mm conduit is required for the electrical cable to the water heater. The conduit is to be connected to the unit with a 20 mm terminator.

Connect the power supply wires directly to the terminal block and earth tab connection, ensuring there are no excess wire loops inside the front cover. The temperature rating of the power supply wires insulation must suit this application, or the wiring protected by insulating sleeving with an appropriate temperature rating if it can make contact with the internal storage cylinder. The temperature of the internal storage cylinder can reach 70°C under normal operation.

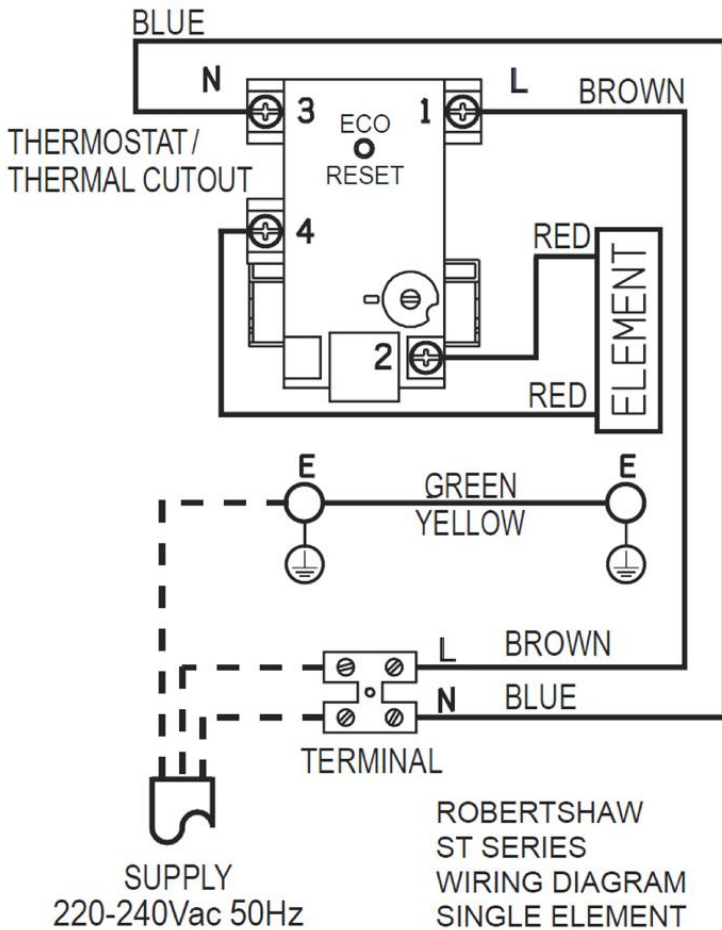
### **THERMOSTAT SETTING**

The thermostat on a Rheem 312025 model water heater is tradesperson adjustable from 60°C to 70°C. The factory setting of the thermostat is 70°C.

The thermostat is adjusted by turning the adjuster anticlockwise to decrease the temperature setting and clockwise to increase the temperature setting. Only adjust the thermostat setting when the isolating switch is switched off at the switchboard.

For reasons of safety and economy, we advise the thermostat be set at the lowest temperature that will provide sufficient hot water. Discuss the thermostat setting requirements with the householder.

**WIRING DIAGRAM SINGLE ELEMENT ELECTRIC WATER HEATERS**



**Electrical Circuit for Single Element Models – Robertshaw “ST” Thermostat**

---

# COMMISSIONING

---

## TO FILL AND TURN ON THE WATER HEATER

**The power supply to the water heater must not be switched on until the water heater is filled with water** and a satisfactory megger reading is obtained.

- Open all of the hot water taps in the house (don't forget the shower).
- Open the cold water isolation valve fully on the cold water line to the water heater.

Air will be forced out of the taps.

- Close each tap as water flows freely from it.
- Check the pipe work for leaks.
- Inspect for leaks at the temperature pressure relief valve connection to the water heater.

If a leak is detected, close the cold water isolation valve fully and relieve pressure from the water heater by either operating the easing lever on the temperature pressure relief valve or opening a hot tap. Remove the valve and all of its thread sealant from the threads of the valve. Reapply new thread sealant and refit the valve. Refer to the procedure in **“Temperature Pressure Relief Valve”** on page 33.

- Operate the easing lever on the temperature pressure relief valve to check the smooth operation of the valve plunger and that water discharges freely from the drain line. It is very important the lever is raised and lowered gently. The lever should move smoothly and without undue force.

If the lever cannot be moved or is jerky in its movement, then the valve has been damaged and must be replaced.

- Switch on the electrical supply at the water heater isolating switch on the switchboard and at the isolating switch at the water heater (if installed).

Explain to the householder or a responsible officer the functions and operation of the water heater. Upon completion of the installation and commissioning of the water heater, leave this guide with the householder or a responsible officer.

## TO TURN OFF THE WATER HEATER


If it is necessary to turn off the water heater on completion of the installation, such as on a building site or where the premises is vacant, then;

- Switch off the electrical supply at the water heater isolating switch on the switchboard and at the isolating switch at the water heater (if installed).
- Close the cold water isolation valve at the inlet to the water heater.

---

## DRAINING THE WATER HEATER

---

 **Warning:** Exercise care, as water discharged from the water heater may be of a very high temperature.

To drain the water heater:

- Turn off the water heater (refer to **“To Turn Off The Water Heater”** on page 38).
- Close all hot water taps.
- Operate the relief valve lever - do not let the lever snap back or you will damage the valve seat. **It is very important the lever is raised and lowered gently.**

Operating the lever will release the pressure in the water heater.

- Undo the union at the cold water inlet to the water heater and attach a hose to the water heater side of the union.

Let the other end of the hose go to a drain.

- Open the relief valve by holding the lever in the raised position.

This will let air into the water heater and allow the water to drain through the hose.

