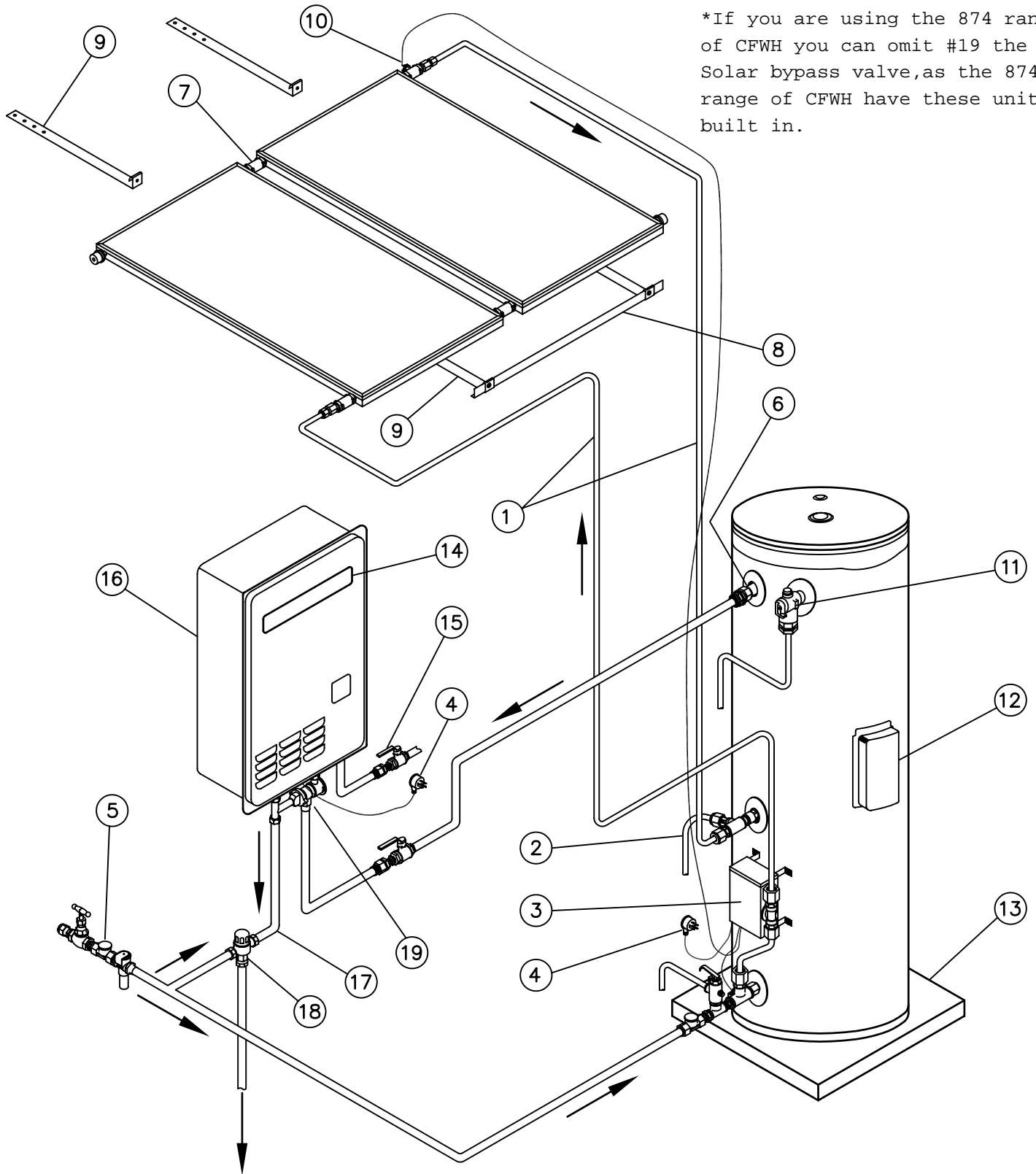


TYPICAL INSTALLATION For a Rheem-24*

SOLAR LOLINE WITH GAS BOOSTER

*If you are using the 874 range of CFWH you can omit #19 the Solar bypass valve, as the 874 range of CFWH have these units built in.



LEGEND

- | | |
|---|---|
| 1. Solar flow and return insulated copper pipe. | 11. Temperature Pressure Relief Valve and drain line. |
| 2. Solar bleed valve and drain. | 12. Electric boost unit. |
| 3. Solar control unit. | (No Electrical connection with Gas Boost Models) |
| 4. Power supply cord 10A GPO. | 13. Water heater support. |
| 5. Cold water connection to local regulations. | 14. Flue Outlet. Clearances must comply with AS 5601. |
| 6. Solar preheat (hot water) outlet | 15. Gas supply . |
| 7. Quick fit connectors. | 16. Gas Booster Rheem Integrity 24. |
| 8. Collector angle. | 17. Hot water outlet. |
| 9. Collector fixing strap. | 18. Tempering Valve. |
| 10. Hot Sensor. | 19. Solar Bypass Valve. |