

Crystalline Silicon PV Module Installation Manual

1. Introduction

- 1.1 Purpose
- 1.2 Limitation of Liability

2. Codes and Regulations

3. Safety

- 3.1 General Safety
- 3.2 Installation Precautions
- 3.3 Installation Safety

4. Mechanical Installation

- 4.1 Installation Condition
- 4.2 Tilt Angle Selection
- 4.3 Installation Methods

5. Electrical Installation

- 5.1 Installation Condition
- 5.2 Grounding

6. Maintenance

1. Introduction

1.1 Purpose

This document provides detailed instructions and valuable safety information regarding the installation, electrical connection, and maintenance of following Chint Solar Crystalline Photovoltaic modules:

CHSM60M(DG)/F-B CHSM60M(DGT)/F-B CHSM72M(DG)/F-B CHSM72M(DGT)/F-B

CHSM60M(DG)/F-BH CHSM60M(DGT)/F-BH CHSM72M(DG)/F-BH CHSM72M(DGT)/F-BH

All the instructions should be read and understood before installation. The installers should be trained and conform to all safety precautions in this guide when installing the module. Keep this guide in a safe place for further reference.

1.2 Limitation of Liability

Because the use of this manual and the conditions or methods of installation, operation, use and maintenance of photovoltaic (PV) products are beyond Chint Solar's control, Chint Solar does not afford the responsibility and expressly disclaims liability for loss, damage, or expense arising out of or in any way connected with such installation, operation, use or maintenance. Chint Solar reserves the right to change the manual without prior notice.

2. Codes and Regulations

The mechanical and electrical installation of PV systems should be performed in accordance with all applicable codes, including electrical codes, building codes and electric utility interconnection requirements. Such requirements may vary for mounting location, such as building rooftop or motor vehicle applications. Requirements may also vary with system voltage, and for DC or AC application. Contact local authorities for governing regulations.

3. Safety

Chint solar modules are designed to meet the requirements of IEC 61215 and IEC 61730, application class A. Modules rated for use in this application class may be used in system operating at greater than 50V DC or 240W, where general contact access is anticipated. Modules qualified for safety through IEC 61730-1 and IEC 61730-2 and within this application class are considered to meet the requirements for safety class II equipment.

3.1 General Safety

- 3.1.1 Consult and follow local codes and other applicable laws concerning required permitting as well as installation & inspection requirements, rules, and regulations.
- 3.1.2 PV modules should be installed and maintained by qualified personnel.
- 3.1.3 Use the same performance modules within a given series.
- 3.1.4 Follow all safety precautions of all components used in the system.
- 3.1.5 Do not shade portions of the PV module surface from the sun for a long period of time. The shaded cell may become hot (hot spot phenomenon), which can result in solder joints peeling off.
- 3.1.6 Do not clean the glass surface with chemicals.
- 3.1.7 Do not drop the PV module or drop objects onto the PV module.
- 3.1.8 Do not concentrate sunlight on the modules or panels.
- 3.1.9 Do not attempt to disassemble the modules, and do not remove any attached components from the modules.
- 3.1.10 Do not scratch or hit at the front and back glass, the terminal box. Do not pull the cables or touch them with bare hands.
- 3.1.11 Do not drill holes in the frame or scratch the anodized film of the frame.
- 3.1.12 Keep the PV module packed in the carton until installation.
- 3.1.13 Do not use modules near equipment or in places where flammable gases may be generated.
- 3.1.14 Do not use modules in an environment with aliphatic, aromatic, phenols, ketones, halogenated substance or mineral oil, which may corrode the junction box by chemical attack.

3.2 Installation Precautions

3.2.1 Module's unpack and transfer

- a) When the whole pallet of modules is delivered to the site and unloaded, make sure the safety of the modules especially if they need to be lifted for roof projects. Put them into a protective device and then lift it to the roof in case of bumping against the wall during the lifting process.
- b) Firstly, tear the stretch film, then move away the top cover after cutting off each module packing strip while unpacking.

- c) Two operators work as a group, if the modules are fixed with anti-inverted tapes, grasp the module frame tightly in the same direction and take out the module one by one. It is a must that the operators remove the adhesive tape of the fixed module one by one, rive one piece and then take out one piece of module. If the modules are fixed with packing belt, firstly cut the two packing belt, use non-sharp and dependable items such as anti-falling sticks to hold one side of the long side carton, and then cut the other side of the carton, two operators take out the module one by one. We don't allow to tear off all the adhesive tape at one time in to prevent the whole package from toppling over or falling down. The whole process must be taken very gently. Don't collide with any hard objects or let any parts of the frame touch and drag on the ground.
- d) After unpacking the modules should be installed that day as far as possible. It's recommended to take the right amount of modules according to the progress of the project every day. Heavy rain and other inclement weather may have the potential to soak the packaging which can affect product reliability, such as storms, typhoons, hurricanes or other events in which they may be blown away. If the users need to store modules before installation, do not open the package, the goods should be stored in a room temperature, dark, dry and ventilated place.

3.2.2 Module's Stack

- a) When a module is taken out of the box, cardboard bedding below should be applied in order to avoid contact with cement surface / ground, hard metal or tile. Modules should be placed neatly and should not be dropped, slammed or scratched.
- b) When stacking modules, it needs to be stacked neatly in the horizontal plane, under the condition of the glass facing down and the back way piled up, while the cardboard bedding need to be underside the modules. If the modules will be installed on the rooftop, the number of each stack is suggested no more than 20. In case of the poor load-bearing capacity, it's recommended that the designer and/or installer check with the structural engineer or architect to determine the amount of load allowable for specific location. During the whole process, the installation tools and other objects must be prevented from contacting the module surface.
- c) If the modules are requested to be classified by current, the handling personnel are

required to carry out of the level of the current and make a mark separately according to the power on the list. (e.g. 275W-L, identifies the modules of the packaging according to the power on the list, indicating a low current position; 275W-H, compared to high current position). Usually, the same series of modules in the same current position are required in accordance with the system design requirements.

- d) If the modules are color-coded and marked the corresponding logo on the carton due to the customer requirements, when modules are taken out and stacked, they should be labeled to avoid confusion. Usually the same row or the same square have the same color according to the system design requirements.
- e) Due to the complexity and difference of the construction site, these precautions may not cover all items, please refer to the specific construction standards.

3.3 Installation Safety

- 3.3.1 Wear protective clothing such as head gear, insulating gloves, safety shoes as prescribed by local safety codes. Use insulated tools when installing the modules.
- 3.3.2 Do not install the modules in heavy rain, snow, or otherwise wet or windy conditions.
- 3.3.3 Completely cover the PV module surface with an opaque material during PV module installation and wiring to prevent accidental charge buildup.
- 3.3.4 Plug in connectors tightly when working on wiring.
- 3.3.5 Due to the risk of electrical shock, do not perform any work if the terminals of PV module are wet.
- 3.3.6 Do not touch the terminal box and the end of output cables (connectors) with bare hands.
- 3.3.7 Do not unplug the connector under load.
- 3.3.8 Do not work alone.
- 3.3.9 Wear a safety harness if working far above the ground.
- 3.3.10 Do not wear metallic jewelry, which can cause electric shock, while installing or troubleshooting the PV system.
- 3.3.11 Follow the safety regulations for any and all other system components, including wires, connectors, charging regulators, batteries, inverters, etc.
- 3.3.12 Do not expose wires to direct sunlight. Use UV-resistant cable.

- 3.3.13 Do not damage the surrounding PV modules or mounting structure when replacing a PV module.
- 3.3.14 Do not change any PV module components (diode, junction box, connectors, etc.).
- 3.3.15 The maximum reverse current is 20.25A for module with $I_{sc} \leq 9.61A$ and 27A for module with $I_{sc} > 9.61A$. Application of the blocking diode and fuse in the combiner box are recommended for reverse current protection when more than two strings are connected in parallel.
- 3.3.16 A certain gap is maintained between the PV module and the mounting surface to prevent the mounting surface touching the junction box.
- 3.3.17 Standing on the solar PV module is forbidden and also prohibit installation tools or other objects hitting surface of the solar PV module.
- 3.3.18 The solar modules are recommended to be installed over a fireproof and insulating roof covering when installed on a roof.
- 3.3.19 PV cable connection cannot be too tight, it is recommended that the connector and the backsheet have a certain gap.

In sandy regions, in order to avoid getting sand into the connector, we suggest to short circuit module connectors before installation. If grains of sand get into the connectors it, may cause internal live parts wear and tear and affect electrical safety.

4 Mechanical Installation

4.1 Installation Conditions

- 4.3.1 Extreme environment temperature: $-30^{\circ}C$ to $+50^{\circ}C$
- 4.3.2 Operating temperature: $-40^{\circ}C$ to $+85^{\circ}C$
- 4.3.3 Mechanical load on panels (e.g., snow/wind): The max tested snow/wind load is 5400Pa/2400Pa, and the design load is 3600Pa/1600Pa with a safety factor 1.5 under standard mounting system. For specific installation methods and mechanical load test values, please refer to 4.3 detailed component installation instructions.
- 4.3.4 The modules mounting structure must be made of durable, corrosion-resistant and UV-resistant material. Modules must be securely attached to the mounting structure.
- 4.3.5 In regions with heavy snowfall in winter, select the height of the mounting system, so that

the lowest edge of the modules is not covered by snow for any length of time. In addition, ensure that the lowest portion of the modules is placed high enough so that it is not shaded by trees or other plants.

- 4.3.6 When the modules are supported parallel to the surface of a building roof, a minimum clearance of 10cm between the module frame and the surface of the roof is required to allow air to circulate behind the modules and to prevent wiring damage.
- 4.3.7 Chint solar modules are designed to meet the requirements of IEC61730 and UL 61730, application the fire performance Class A (IEC61730) and type 29 (UL61730 for Canada) or Class C (UL61730 for US).
- 4.3.8 Observe the linear thermal expansion of the modules frames, must ensure that the minimum distance between neighboring frames is 10mm.

4.2 Tilt Angle Selection

The tilt angle of the modules is measured between the surface of modules and a horizontal grounding face, as shown in figure a. The modules generate maximum power output when it faces the sun directly.

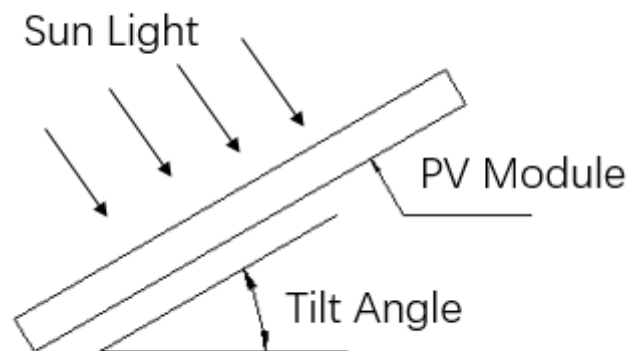


Figure a Schematic diagram of tilt angle

In the northern hemisphere, modules should typically face south, and in the southern hemisphere, modules should typically face north. Dust building up on the surface of the modules can impair module performance, Chint Solar recommends installing the modules with a tilt angle of at least 10 degrees, making it easier for dust to be washed off by rain. At the same time, it is conducive to the flow of accumulated water on the surface of the module, and avoids long-term large amounts of accumulated water leaving marks on the glass surface, thereby affecting the

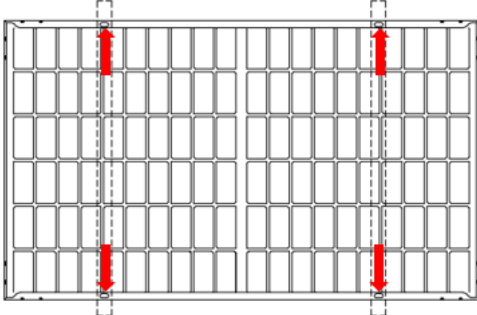
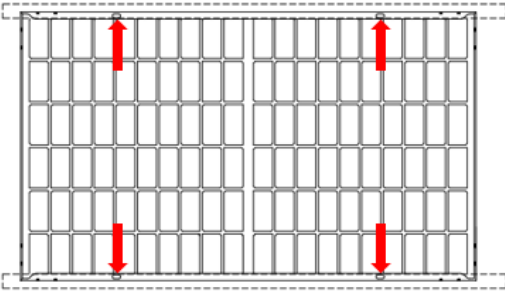
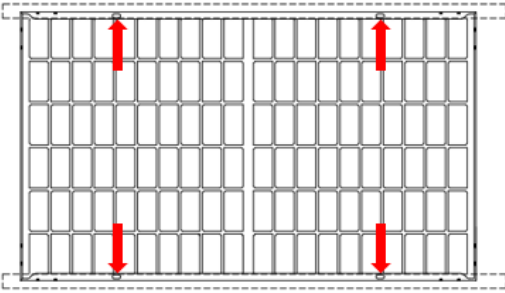
appearance and performance of the module.

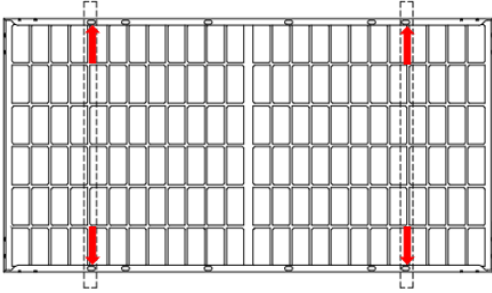
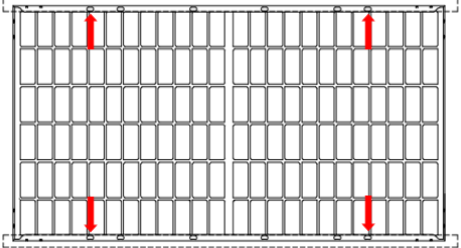
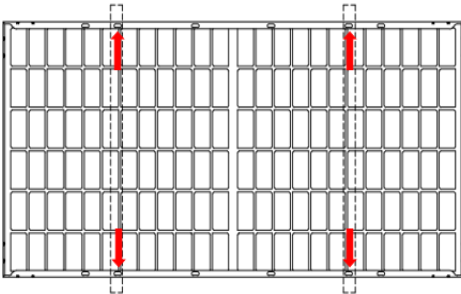
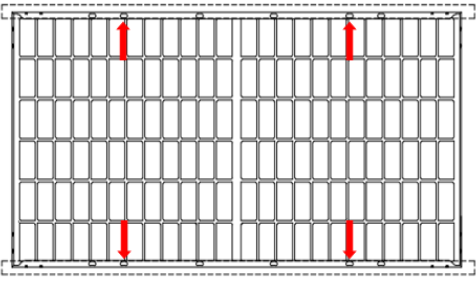
PV modules connected in series should be installed in the same orientation and angle. If the orientation and angle are different, the solar radiation received by each module may be different, resulting in power loss.

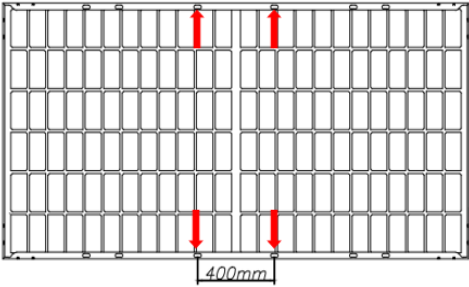
4.3 Installation Methods

4.3.1 Bolting through the mounting holes

All modules must be secured by at least 4 bolts. See the table below for specific installation methods and corresponding load values.

Module type	Dimensions L*W*H (mm)	Mounting Direction	Mechanical Load Pressure
CHSM60M(DG)/F-B CHSM60M(DGT)/F-B CHSM60M(DG)/F-BH CHSM60M(DGT)/F-BH	1664*998*30	 <p>Bolting on long frame side using four mounting holes. Mounting rails run perpendicularly to the long frame side.</p>	+5400Pa -2400Pa
	1696*998*30	 <p>Bolting on long frame side using four mounting holes. Mounting rails run parallel to the long frame side.</p>	+5400Pa -2400Pa (Need confirm with Chint)
1714*1010*30	 <p>Bolting on long frame side using four mounting holes. Mounting rails run parallel to the long frame side.</p>		+3600Pa -2400Pa (Standard)
1791*1052*30			

<p>CHSM72M(DG)/F-B CHSM72M(DGT)/F-B CHSM72M(DG)/F-BH CHSM72M(DGT)/F-BH</p>	<p>1980*998*30 2018*998*30 2038*1010*30 2131*1052*30</p>	 <p>Bolting on long frame side using four outer mounting holes. Mounting rails run perpendicularly to the long frame side.</p>	<p>+5400Pa -2400Pa</p>
		 <p>Bolting on long frame side using four outer mounting holes. Mounting rails run parallel to the long frame side.</p>	<p>+5400Pa -2400Pa (Need confirm with Chint)</p> <p>+3600Pa -2400Pa (Standard)</p>
		 <p>Bolting on long frame side using four middle mounting holes. Mounting rails run perpendicularly to the long frame side.</p>	<p>+2400Pa -2400Pa</p>
		 <p>Bolting on long frame side using four middle mounting holes. Mounting rails run parallel to the long frame side.</p>	<p>+2400Pa -2400Pa</p>

<p>CHSM72M(DG)/F-B CHSM72M(DGT)/F-B CHSM72M(DG)/F-BH CHSM72M(DGT)/F-BH</p>	<p>1980*998*30 2018*998*30 2038*1010*30 2131*1052*30</p>	 <p>Mounting with Single-axis Tracking System with 4-ϕ7*10mm mounting holes</p>	<p>+2400Pa -2400Pa</p>
--	--	---	----------------------------

Note: the red arrows above are indicative of the bolts' location. The installation steps are as follows (figure b):

1. Place the module underneath the mounting rack.
2. Insert 4 stainless bolts (M8) into the mounting holes. The ϕ 7*10mm mounting holes need 4 M6 bolts.
3. Make sure that each bolt is installed with two washers, one on each side of the rack. then screw them tight onto spring washer or toothed washer, and at last, lock them with stainless nuts.
4. The reference value of tightening torques should be within 17~23 Nm for M8 bolts, and 9~12N for M6 bolts. For the torque value, recommendations from specific clamping hardware suppliers should prevail.

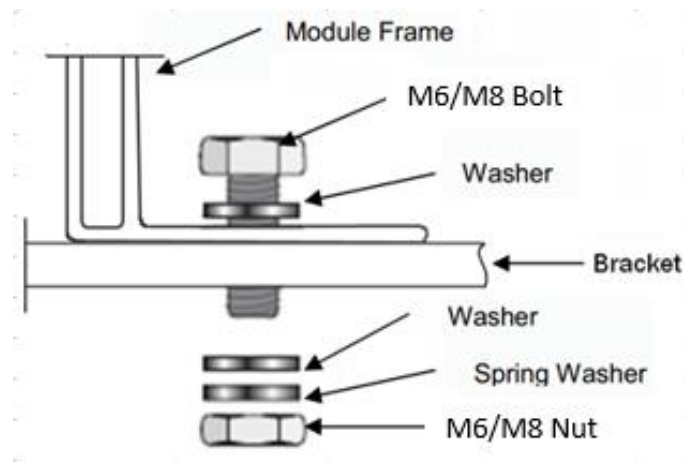


Figure b

4.3.2 Clamping on the frame surface

Each module must be securely fastened at a minimum of four points on two opposite sides, the clamps should be positioned symmetrically, which is shown in fig c and fig d.

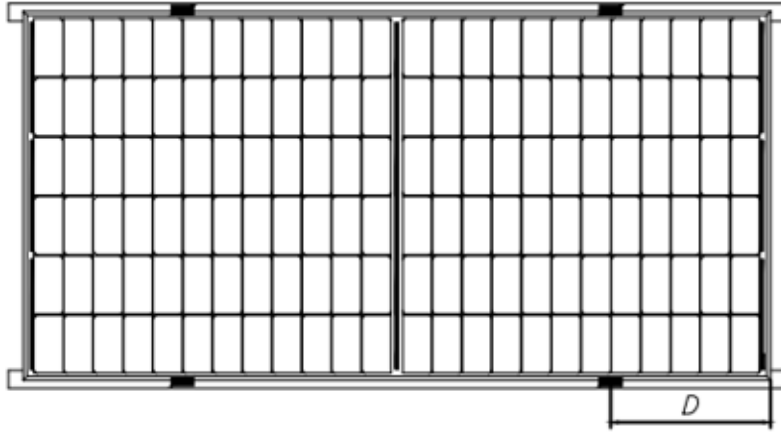


Figure c Mounting rails run parallel to the long frame side

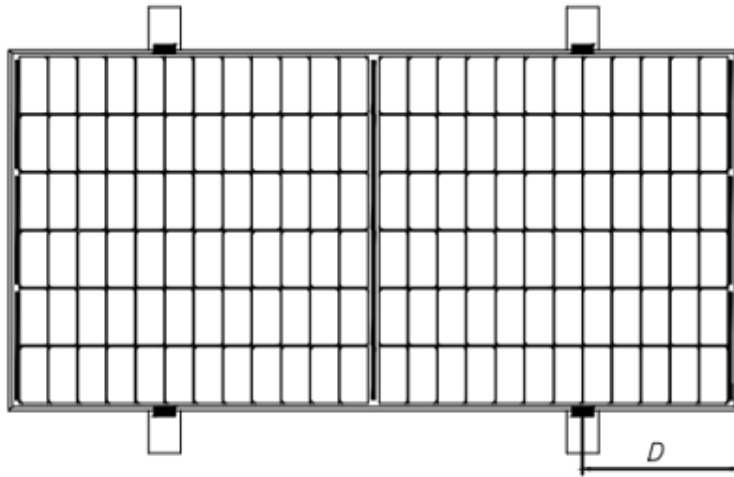


Figure d Mounting rails run perpendicularly to the long frame side

Remark:

- 1) The length of supporting bars must be longer than the length of module frame, otherwise please confirm with our product team to get approval.
- 2) The above figures illustrate the proper installation method of frame surface clamp. "D" indicates its mounting location, the installation location and mechanical load pressure are shown in follow table:

Module type	Dimensions	D	Fig c	Fig d
	L*W*H (mm)			
CHSM60M(DG)/F-B CHSM60M(DGT)/F-B	1664*998*30	350 ± 100	+5400Pa/-2400Pa (Need confirm with Chint) +3600Pa/-2400Pa (Standard)	+5400Pa -2400Pa
CHSM60M(DG)/F-BH CHSM60M(DGT)/F-BH	1696*998*30 1714*1010*30			

CHSM60M(DG)/F-BH CHSM60M(DGT)/F-BH	1791*1052*30	1/4L±50	+5400Pa/-2400Pa (Need confirm with Chint) +3600Pa/-2400Pa (Standard)	+5400Pa -2400Pa
CHSM72M(DG)/F-B CHSM72M(DGT)/F-B	1980*998*30	450±100 450±100	+5400Pa/-2400Pa (Need confirm with Chint) +3600Pa/-2400Pa (Standard)	+5400Pa -2400Pa
CHSM72M(DG)/F-BH CHSM72M(DGT)/F-BH	2018*998*30 2038*1010*30			
CHSM72M(DG)/F-BH CHSM72M(DGT)/F-BH	2131*1052*30	1/4L±50	+5400Pa/-2400Pa (Need confirm with Chint) +3600Pa/-2400Pa (Standard)	+5400Pa -2400Pa

3) Each aluminum clamp is equipped with a M8 bolt, a plain washer, a spring washer and a M8 nut, to fasten the module:

- a) Place the module on the two supporting bars (not provided). The bars should be made with stainless material and treated with an anti-corrosion process (e.g., hot dipped galvanizing) or aluminum profile (with anodic oxidation treatment). Each solar PV module needs at least four clamps to fix. Do not make the clamp contact the glass directly or make the aluminum frame deformation in the installation process, and avoid the shadow of solar PV components, otherwise may break the modules.
- b) Be sure to avoid shadowing effects from the module clamps. Weep holes on the module frame must not be closed or obscured by the clamps. The clamp must overlap the module frame by at least 8mm but no more than 11mm (The clamp section can be changed under the premise of ensuring the reliable installation of the components).
- c) The bar's top surface contacted with module frame should come with grooves compatible with an M8 bolt.
- d) If the bars do not come with grooves, holes of a suitable diameter may need to be drilled to allow bolts to be attached to the bars at the same locations as mentioned above.
- e) Secure each clamp by attaching plain washer, spring washer, and nut, in that order.
- f) Both of close-ups of Figure 8, indicating the middle clamps and Figure 9, indicating the side clamps for reference. Suggest the dimensions for middle clamps are: $a \geq 40$ mm, $b \geq 26$ mm, $c = 8$ mm, $d \geq 28$ mm, and $\varnothing = 9$ mm. The torque for tightening the nut and bolts are recommended 17~23Nm when the property class of bolts and screws is Class 8.8.

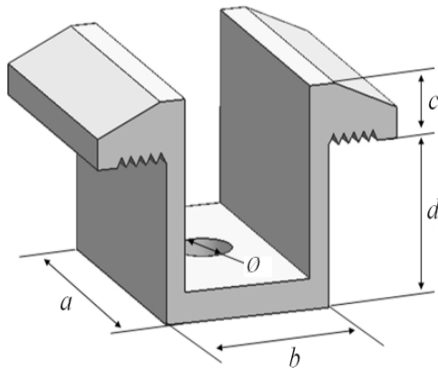


Figure e

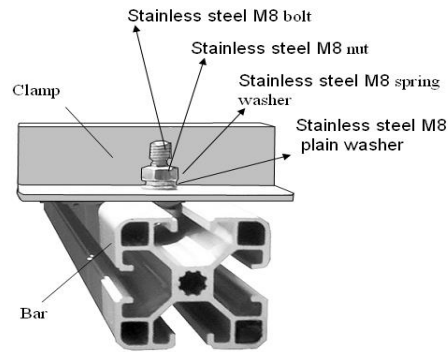


Figure f

- g) For the installation method shown in Figure d, the modules need to be fixed with professional solar pressure blocks (as shown in Figure g), and the overlap between the C surface of the module and the guide rail should be $\geq 15\text{mm}$. If improper fixtures or incorrect installation methods are used, the Chint Solar limited warranty will be invalid.

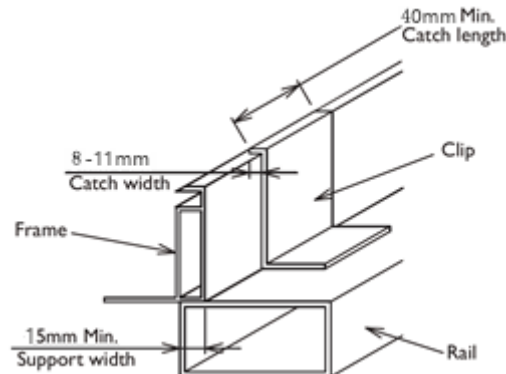


Figure g

5 Electrical Installation

5.1 Installation Condition

5.1.1 Rated electrical characteristics such as I_{sc} is within $\pm 5\%$ and V_{oc} within $\pm 3\%$ and P_{mpp} within $\pm 3\%$ of tolerance values at Standard Test Conditions. Standard Test Conditions: $1000\text{W}/\text{m}^2$ Irradiance, 25°C Cell Temperature and 1.5 Air Mass.

5.1.2 The IEC & UL standard maximum system voltage for the bifacial module series is 1500V. The maximum voltage of the system must be less than the maximum certified voltage and the maximum input voltage of the inverter and of the other electrical devices installed in the system. To ensure that this is the case, the open circuit voltage of the array string needs to be calculated at the lowest expected ambient temperature for the location. This can be done using the following formula.

$$\text{Max System voltage} \geq N * \text{Voc} * [1 + \text{TCvoc} * (\text{Tmin}-25)]$$

N	No modules in series
Voc	Open circuit voltage of each module (refer to product label or data sheet)
Tcvoc	Thermal coefficient of open circuit voltage for the module (refer to data sheet)
Tmin	The lowest ambient temperature

- 5.1.3 Connect quantity of modules that match the voltage specifications of the inverters used in system. Modules must not be connected together to create a voltage higher than the permitted maximum system voltage under the lowest local temperature conditions.
- 5.1.4 Under normal conditions, a photovoltaic module is likely to experience conditions that produce more current and/or voltage than reported at standard test conditions. Accordingly, the value of I_{sc} marked on this module should be multiplied by a factor of 1.25 when determining component conductor ampacities, fuse sizes, and size of controls connected to the PV output.
- 5.1.5 Refer to Section 690-8 of the National Electrical Code for an additional multiplying factor of 125% (80% derating) which may be applicable. That means, when determining the voltage rating, conductor capacity, fuse rating, and photovoltaic output control size, the parameters need to be multiplied by the square of 1.25.
- 5.1.6 Each module (or series-connected string of modules) shall be provided with the maximum series fuse, specified 20A for bifacial module.
- 5.1.7 Modules with different electrical characteristics must not be connected directly in series.
- 5.1.8 Use a special solar cable and plugs for installing the PV system and make sure that all connections are safe and tight. The cable should be 4 mm² (12AWG), and able to withstand the maximum possible system open-circuit voltage.
- 5.1.9 Cables should be fixed to the mounting structure in such a way that mechanical damage of the cable and/or the modules is avoided. Don't apply stress to the cables. For fixing, use appropriate means, such as sunlight resistant cable ties and/or wire management clips specifically designed to attach to the module frame. While the cables are sunlight resistant and waterproof, where possible, avoid direct sunlight exposure and water immersion of the cables.
- 5.1.10 The junction boxes used with Chint Solar modules contain bypass diodes wired in parallel

with the PV cell string. The bypass diode in the junction box can avoid the degradation of component performance caused by shading or covering (such as aging of packaging materials, sealing-off, etc.), please refer to the junction box diode specifications provided in the relevant product specifications.

5.1.11 In the case of partial shading, the diodes bypass the current generated by the non-shaded cells, thereby limiting modules heating and performance losses. In the event of a known or suspected diode failure, installers or maintenance providers should contact Chint Solar. Never attempt to open the junction box by yourself.

5.1.12 Prohibit interconnection between different types of connectors.

5.1.13 Keep connectors dry and clean, and ensure that connector caps are hand tight before connecting the modules. Don't attempt making an electrical connection with wet, soiled, or otherwise faulty connectors. Avoid sunlight exposure and water immersion of the connectors. Avoid connectors resting on the ground or roof surface.

5.1.14 Don't disconnect under load. When it is necessary to open the connector, make sure that the component is in a non-working state, and must use a professional unlocking tool, and it is forbidden to pull it hard.

5.2 Grounding

5.2.1 Chint Solar modules use an anodic oxidized aluminum frame to resist corrosion. So the frame of modules should be connected to the equipment grounding conductor to prevent thunder and electrical shock. The grounding device should fully contact with the inside of the aluminum alloy, and penetrate the surface of the frame oxidation film.

5.2.2 Chint Solar recommends using the following methods to ground modules properly:

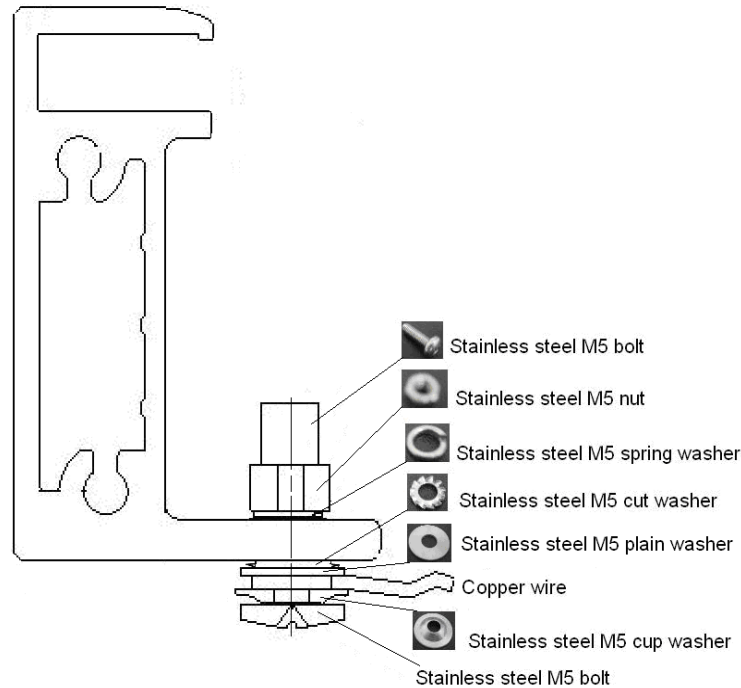


Figure h Grounding the aluminum frame with copper wire

- a) The grounding requirements must be checked in accordance with the applicable regulations and standards before work is started.
- b) Use the marked 5.5 mm grounding holes to ground the anodized frame. Use one M5 nut, two M5 cut washers, one M5 plain washer, one M5 spring washer, and one M5 bolt and the copper wire. All nuts, bolts, and washers are type M5 and should be made of stainless steel (Fig. (h)).
- c) Put the bolt through the cup washer and wrap the copper wire around the bolt. (Note that the copper wire cannot be attached directly to the aluminum.)
- d) Put the bolt through the cut washer and then through the hole in the aluminum frame.
- e) Add the spring washer and nut on the other side of the bolt and tighten to secure all parts.

The tightening torque should be 4~5.5N•m.

5.2.3 Approve the use of UL-467 certified bonding and grounding devices, including Burndy (formerly Wiley Electronics) Washer Electrical Equipment Bonding (WEEB) and similar devices, such as barbed washers, that meet the requirements of UL-467 as suitable for electrical bonding and grounding PV modules to PV mounting systems.

5.2.4 Other grounding methods may be allowable when tested with the racking system per UL 2703 requirements.

5.2.5 Please don't drill any additional grounding hole on the frame of the modules.

5.2.6 The frame rails have pre-drilled holes marked with a grounding sign. These holes should be used for grounding purposes and should not be used for mounting the modules.

6 Maintenance

It is required to perform regular inspection and maintenance of the modules, especially within warranty scope. It is the user's responsibility to report to the supplier regarding the damages found in time.

6.1 Regularly carry out a visual inspection for dirt, dust, bird dropping, leaves, and other detritus covering the modules.

6.2 If snow is present, a soft-bristled brush with soft bristles may be used to clean the surface of the modules.

6.3 Regular electrical and mechanical inspection by a licensed professional will keep the system safe and operating at maximum efficiency.

6.4 Recommended PV module Clean-up period

To get high output performance, PV module needs to be cleaned-up periodically as below:

① Normal: Minimum one time per every month; Dust weather: Right away after the dust wind;

② The period of the PV module cleaning shall be determined by the condition of the weather & pollution. O&M operator shall keep a record of weather condition everyday with data.

6.5 If there is a lot of dirt on the surface of the modules, use clean water and a soft cleaning tool (such as a sponge) to clean the modules array during a cooler time of the day. Do not scratch the dust on the surface of the modules in a dry condition, otherwise it will cause scratches.

6.6 Condition of Cleaning

6.6.1 Use clean water or filtered water with soft type material (a sponge) to wipe the PV module. Never use chemicals on the surface of the module.

6.6.2 Cleaning after sunset or before sunrise is recommended for safety of O&M operator shock from heat stroke.

- 6.6.3 Do not use abrasive powder, abrasive cleaners, scrubber cleaners, polishers, sodium hydroxide, benzene, nitro-thinners, acid or alkali and other chemical substances.
- 6.6.4 Do not clean broken glass or modules with broken lines or exposed wires, as it may cause the electric shock.

CHINT SOLAR (ZHEJIANG) Co., Ltd.

Add: 1335 Bin'an Rd, Binjiang District, Hangzhou, China 310053

Tel: 86-571-5603 1888

Fax: 86-571-5603 2333

<http://energy.chint.com/>